

LiNK THE WORLD

YJ LINK

#110, Secheon-ro 1-gil, Dasa-eup, Dalseong-gun, Daegu, 42921 Korea
TEL. +82-53-592-1723 FAX. +82-53-592-1724 E-mail. sales@yjlink.com
www.yjlink.com



Printed September, 2021

YJ LINK

Smart Conveyor
Board Handling Equipment
Laser Marking Machine
Router



CE
A SERIES
V.21.00



Board Handling Equipment & Smart Factory



HISTORY

2009. 06	Established YJ Link Co.,Ltd.
2009. 08	Registered in global F company AVL
2009. 10	Certificate of Venture Business
2010. 01	Received certificate for Company-affiliated Research and Development Institute
2010. 03	Established YJ Link Japan Co.,Ltd.
2010. 04	Developed model 1.0(A series) Laser marking machine
2013. 01	INNO-BIZ
2013. 12	Selected as Promising Export Small and Medium Enterprise
2014. 04	Selected as Global Hidden Champion
2014. 06	Selected as Star Company
2014. 06	Established Suzhou YJ Link Co.,Ltd.
2014. 06	Established YJ Link Inc.
2014. 11	Awarded Citation from Ministry of Commerce Industry and Energy
2014. 12	Presidential Citation Award(Awarded USD 10 million Export Tower)
2015. 02	Registered in global C company SSL
2015. 07	Opened Office/DEMO Room in Germany
2015. 07	Established YJ Link Mexico S.A. De C.V.
2016. 10	Small and Medium Enterprise Award
2016. 12	Certified as Small and Medium Enterprises for Talent Development
2017. 02	Registered in global V company AVL
2017. 04	Registered in global T company AVL
2017. 05	Developed Smart Conveyor System(Embedded System Applied)
2018. 02	Developed AGV(Automated Guided Vehicle)
2018. 02	Initiated Contribution to the Green Umbrella Children's Foundation
2018. 05	Reselected as Global Hidden Champion
2018. 09	Registered in global C company AVL
2018. 12	Awarded 'USD 20 million Export Tower'
2019. 01	Registered in global J company AVL
2019. 05	Reselected as Star Company
2019. 05	Awarded 'The Leading Exporter' in Korea
2019. 05	Established YJ Link VINA Co.,Ltd.
2020. 06	Developed model 2.0(Y series) Board handling equipment and Laser marking machine
2021. 03	Registered in global H company AVL

GREETING

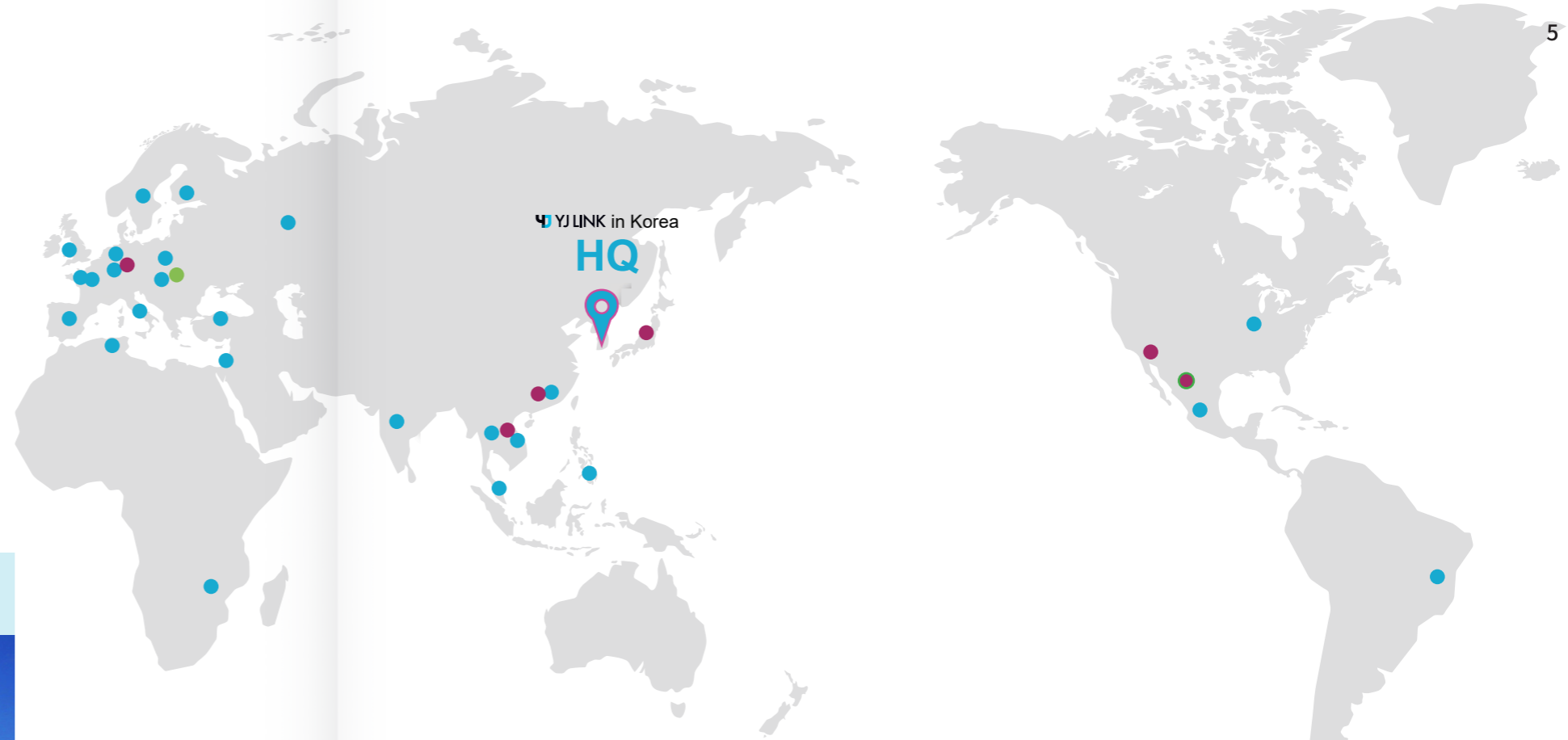
YJ Link Co., Ltd. is a global supplier who is manufacturing and exporting board handling equipment, laser marking machine, router and smart conveyor for SMT automation process.

With continuous product development in the SMT field, as an AVL (Approval Vendor List) company that has been recognized for its product quality and responsiveness from customers around the world in automotive, electricity & electronics, defense industry and medical fields, we are becoming the leading manufacturer of SMT peripherals in Korea with continuous sales growth.

Especially in the center of the 4th industrial revolution, by providing Smart Conveyor System of SMT Automation Process, we are providing prompt and accurate solution such as Magazine Tower and AGV.

In the future, we will be a leader in linking the world to reflect the needs of our customers with steady technology development.

Thank you!



CONTACT WORLDWIDE



YJ LINK CO.,LTD. (HQ) / Daegu, Korea 2469990

Address 110, Secheonro 1 Gil, Dasa Eup, Dalseong Gun, Daegu, Korea (ZIP : 42921)
Tel +82-53-592-1723
FAX +82-53-592-1724
E-Mail sales@yjlink.com



YJ LINK VINA CO., LTD. / Haiphong, Vietnam

Address An Duong Industrial zone, Hong Phong commune, An Duong district, Hai Phong city, Vietnam LOT B-31 CN4
Tel +84-0225-2299-420
E-Mail yjvietnam@yjlink.com



SUZHOU YJ LINK CO.,LTD. / Suzhou, China

Address Room 1218, Block D, 12F, Jiacheng Building, No.128 zhongxin Avenue West, Suzhou Industrial Park
Tel +86-173-1526-5242
E-Mail yjchina@yjlink.com



YJ LINK EUROPE GmbH / Eschborn, Germany

Address Ludwig-Erhard-Str. 30-34, 65760, Eschborn, Germany
Tel +49-6196-7798-850
E-Mail yjeu@yjlink.com



YJ LINK MEXICO S.A. DE C.V. / Guadalajara, Mexico

Address Avenida De La Calma 4113, Colonia La Calma, Zapopan, Jalisco, Mexico, C.P.45070
Tel +52-33-3334-0958 / +52-33-1562-0462
E-Mail sales@yjlinkus.com



YJ LINK INC. / L.A, USA

Address 12922 GLENDON PL GARDEN GROVE, CA 92843-4245
Tel +1-310-819-0976
E-Mail sales.us@yjlinkus.com



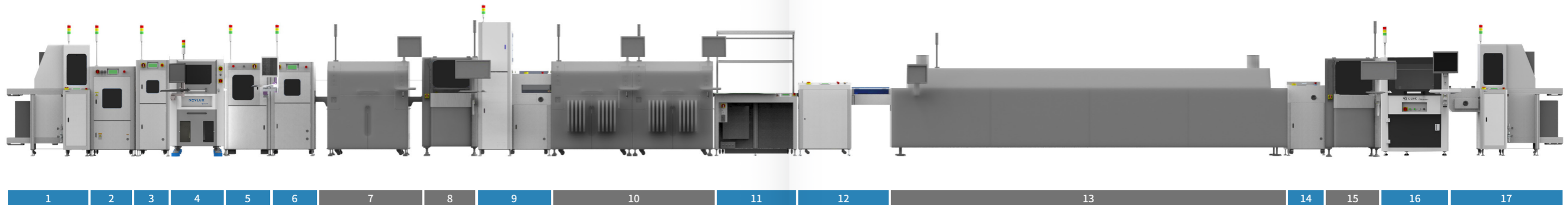
YJ LINK JAPAN CO.,LTD. / Nagoya, Japan

Address 1-212, Cyojya-machi.Inuyama-City, Aichi Japan
Tel +82-53-592-1723 (ext.500)
FAX +82-53-592-1724
E-Mail yj japan@yjlink.com

LAY-OUT

BOARD HANDLING EQUIPMENT

- | | | | |
|---------------------------|-----------------------|----------------------|---------------------------------|
| 01_ MAGAZINE LOADER | 06_ PCB CLEANER | 11_ WORK CONVEYOR | 16_ OPTICAL VERIFICATION BUFFER |
| 02_ VACUUM LOADER | 07_ SCREEN PRINTER | 12_ GATE CONVEYOR | 17_ MAGAZINE UNLOADER |
| 03_ VERTICAL TURN | 08_ SPI | 13_ OVEN | |
| 04_ LASER MARKING MACHINE | 09_ TOWER+NG CONVEYOR | 14_ COOLING CONVEYOR | |
| 05_ SCANNING CONVEYOR | 10_ MOUNTER | 15_ AOI | |



Loader / Unloader Series

Magazine Loader	ALD-22	10P
Magazine Loader - All type	ALD-22A	12P
Shuttle Loader	ASLD-02 / ASLD-03	14P
Shuttle Loader - AGV	ASLD-02 / ASLD-03	16P
Magazine Unloader	AUD-22	18P
Magazine Unloader - All type	AUD-22A	20P
Shuttle Unloader	ASUD-02 / ASUD-03	22P
Shuttle Unloader - AGV	ASUD-02 / ASUD-03	24P
Magazine Buffer	AMB-22	26P

Buffer Series

Tower + Conveyor	AMR-10 / AMR-30	30P
Tower + Conveyor - Cooling	AMR-10C / AMR-30C	32P
Tower + NG Conveyor	AMR-10N / AMR-20N	34P

Link / Work Series

Connection Conveyor	ACC-50 / ACC-100	38P
Connection Conveyor - Cooling	ACC-50C / ACC-100C	40P
Work Conveyor - Inspection	AWT-50 / AWT-100 / AWT-150	42P
Work Conveyor - Work	AWT-50 / AWT-100 / AWT-150	44P
NG Conveyor	ANRC-80	46P

Conveyor Series

Destacker - Knife	ADL-60 / ADL-80	50P
Destacker - Clamping	ADL-C80	52P
Destacker - Clamping (Batch)	ADL-C80	54P
Vacuum Loader - Edge	AVL-E65 / AVL-E85	56P
Vacuum Loader - Magnet	AVL-60 / AVL-80	58P
Stacker	ADU-80	60P
PCB Cleaner - Vacuum	ADRC-66 / ADRC-77	62P
Gate Conveyor - Telescope	AG1-60	64P
Gate Conveyor - Up/Down	AG3-60	66P
Vertical Turn - Motor	AVT-M52 / AVT-M70	68P
Horizontal Turn - Motor	AHT-M62 / AHT-M84	70P
Shuttle Conveyor	ASHC-50 / ASHC-60	72P

Index (Common Standard /Option Spec & Standard Feature & Magazine Rack)		74P
--	--	-----

BOARD HANDLING

LOADER / UNLOADER SERIES

[M-10C-A()1 SERIES]

Magazine Loader	P. 10
Magazine Loader - All type	P. 12
Shuttle Loader	P. 14
Shuttle Loader - AGV	P. 16
Magazine Unloader	P. 18
Magazine Unloader - All type	P. 20
Shuttle Unloader	P. 22
Shuttle Unloader - AGV	P. 24
Magazine Buffer	P. 26



P. 10

➤ Magazine Loader



P. 12

➤ Magazine Loader- All type



P. 14

➤ Shuttle Loader



P. 16

➤ Shuttle Loader - AGV



P. 18

➤ Magazine Unloader



P. 20

➤ Magazine Unloader - All type



P. 22

➤ Shuttle Unloader



P. 24

➤ Shuttle Unloader - AGV



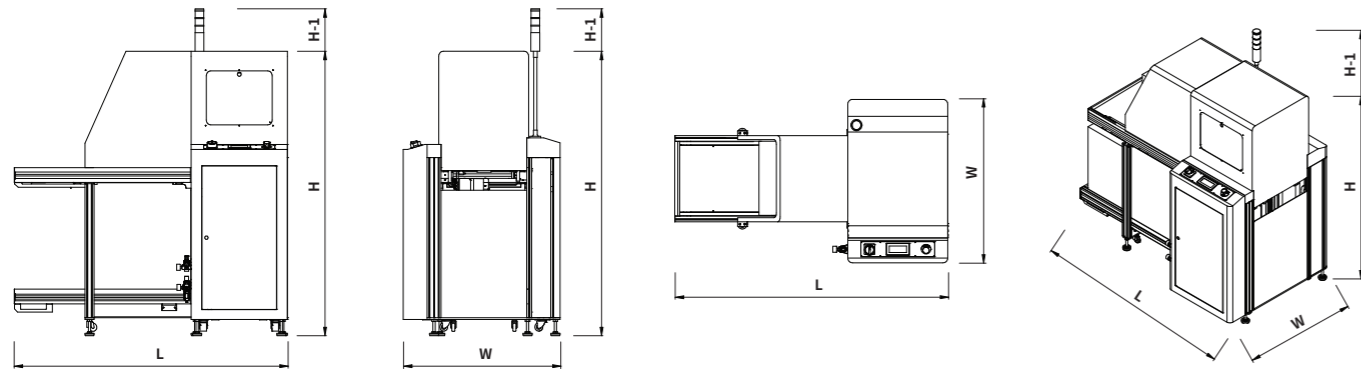
P. 26

➤ Magazine Buffer

Magazine Loader



Located at the first stage of SMT line, this unit transfers PCBs stacked in a magazine rack to the downstream machine using a pneumatic pusher one by one.



CODE No.	MODEL	SIZE	DIMENSION (mm)				WEIGHT (Kg)
			L	W	H	H-1	
M-10C-AM1-0100	ALD-22 M CE	M	1170	810	1780	2000	190
M-10C-AL1-0100	ALD-22 L CE	L	1480	920	1780	2000	270
M-10C-AX1-0100	ALD-22 X CE	XL	1750	1100	1780	2000	330

Standard Spec.			
Item	Standard		
Line Flow	Left to Right	Right to Left	
Fixed Rail	Front	Rear	
Pass Line (mm)	950±20	900±20	
Voltage & Frequency	220V±(10%) & 50 ~ 60Hz		110V±(10%) & 50 ~ 60Hz
PCB Size	M	L	XL
Min.PCB (L X W) (mm)	70 X 70		
Max.PCB (L X W) (mm)	330 X 250	440 X 330	530 X 460
PCB Top/Bottom Clearance (mm)	30 / 25		
PCB Edge (mm)	3		
PCB Loading Weight (kg)	3		
PCB Thickness (mm)	0.6 ~ 4.0		
PCB Color	Green		
Magazine Size (L X W X H)(mm)	M	L	XL
	355 X 320 X 570	460 X 400 X 575	535 X 530 X 575
Magazine Full Rack (kg)	20	30	50
Magazine Slot (ea)	50		
Magazine A size (mm)	34		
Magazine B size (mm)	35		
PCB Loading	Upper to Bottom (50 to 1)		
Magazine Loading	Bottom to Upper		
Pitch	1~4 (10~40mm)		
Magazine Capacity (ea)	Upper 2 / Lower 2		
Exit Guide	Fixed block in fixed rail side		
Jam Detect Function *	Pneumatic		
Safety Cover	Outer & Motor		
Width Adjustment *	Manual		
Interface	SMEMA Pin No. 1, 2, 3, 4, 5, 6		
Smema Cable	3m / 1 ea		
Alarm	Tower lamp (3 color)		
Color *	SR RAL 7035 : NON ESD (H-GY2912-T3-Samhwa Paints)		
Air Supply	0.5Mpa (5bar)		
Air Usage	7.80 ℓ/min		
Electricity Consumption	250W		

Option Spec.		
Item	CODE No.	Option
Width Adjustment *	O-100-HW0-0205	Auto
High Speed Magazine Change	O-100-HW1-0100	-
Jam Detect Function *	O-100-HW1-0203	Electric-torque(Servo motor)
Width Synchronization	O-100-SW0-0200	via RS-485
Line Control	O-200-LC0-0100	Hermes
	O-200-LC0-0200	Smart kit (LAN communication PLC)
Color *	O-400-CO0-0100	ESD powder coating(RAL 7035)

Line Control System for Smart Line / MES / Color-NON ESD ▶ Refer to P.75(Common Option Spec.).

Loader/Unloader Series

Buffer Series

Link/Work Series

Conveyor Series

Magazine Loader

Magazine Loader - All type

Shuttle Loader

Shuttle Loader - AGV

Magazine Unloader

Magazine Unloader - All type

Shuttle Unloader

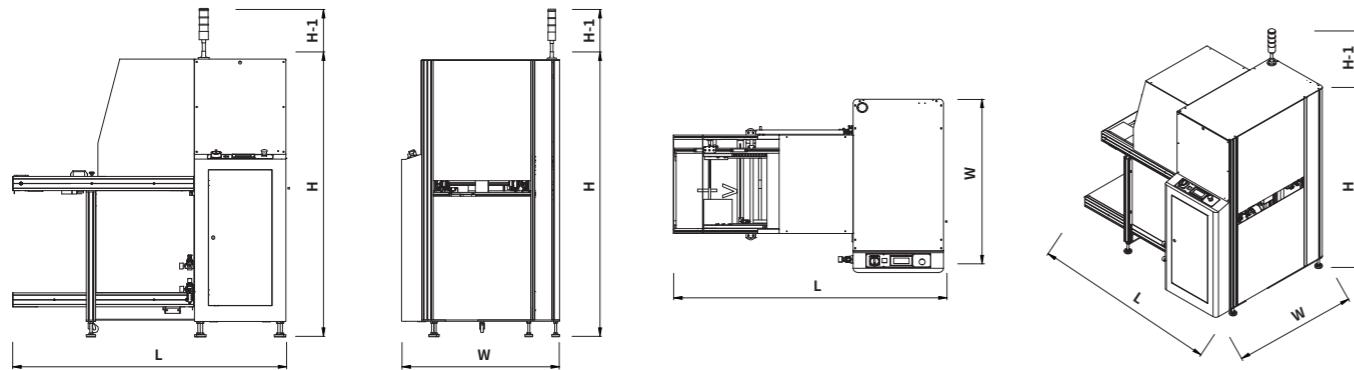
Shuttle Unloader - AGV

Magazine Buffer

Magazine Loader - All type



Located at the first stage of SMT line, this unit transfers PCBs stacked in a magazine rack to the downstream machine using a pneumatic pusher one by one. The magazine conveyor part and the inside of the lifter are designed to accommodate racks of various sizes.



CODE No.	MODEL	SIZE	DIMENSION (mm)				WEIGHT (Kg)
			L	W	H	H-1	
M-10C-AL1-0101	ALD-22A L CE	L	1620	1090	1780	2200	300
M-10C-AX1-0101	ALD-22A X CE	XL	1760	1220	1780	2200	360

Standard Spec.		
Item	Standard	
Line Flow	Left to Right	Right to Left
Fixed Rail	Front	Rear
Pass Line (mm)	950±20	900±20
Voltage & Frequency	220V±(10%) & 50 ~ 60Hz	110V±(10%) & 50 ~ 60Hz
PCB Size	L	XL
Min.PCB (L X W) (mm)	70 X 70	
Max.PCB (L X W) (mm)	440 X 330	530 X 460
PCB Top/Bottom Clearance (mm)	30 / 25	
PCB Edge (mm)	3	
PCB Loading Weight (kg)	3	
PCB Thickness (mm)	0.6 ~ 4.0	
PCB Color	Green	
Magazine Size (L X W X H)(mm)	L	XL
	460 X 400 X 575	535 X 530 X 575
Magazine Full Rack (kg)	30	50
Magazine Slot (ea)	50	
Magazine A size (mm)	34	
Magazine B size (mm)	35	
PCB Loading	Upper to Bottom (50 to 1)	
Magazine Loading	Bottom to Upper	
Pitch	1~4 (10~40mm)	
Magazine Capacity (ea)	Upper 2 / Lower 2	
Exit Guide	Fixed block in fixed rail side	
Jam Detect Function *	Pneumatic	
Safety Cover	Outer & Motor	
Width Adjustment *	Manual	
Interface	SMEMA Pin No. 1, 2, 3, 4, 5, 6	
Smema Cable	3m / 1 ea	
Alarm	Tower lamp (3 color)	
Color *	SR RAL 7035 : NON ESD (H-GY2912-T3-Samhwa Paints)	
Air Supply	0.5Mpa (5bar)	
Air Usage	7.80 ℓ/min	
Electricity Consumption	250W	

Option Spec.		
Item	CODE No.	Option
Width Adjustment *	O-100-HW0-0205	Auto
High Speed Magazine Change	O-100-HW1-0100	-
Jam Detect Function *	O-100-HW1-0203	Electric-torque(Servo motor)
Magazine Type Change-over	O-100-HW1-0300	Auto
Width Synchronization	O-100-SW0-0200	via RS-485
Line Control	O-200-LC0-0100	Hermes
	O-200-LC0-0200	Smart kit (LAN communication PLC)
Color *	O-400-CO0-0100	ESD powder coating(RAL 7035)

Line Control System for Smart Line / MES / Color-NON ESD ▶ Refer to P.75(Common Option Spec.).

Loader/Unloader Series

Buffer Series

Link/Work Series

Conveyor Series

Magazine Loader

Magazine Loader - All type

Shuttle Loader

Shuttle Loader - AGV

Magazine Unloader

Magazine Unloader - All type

Shuttle Unloader

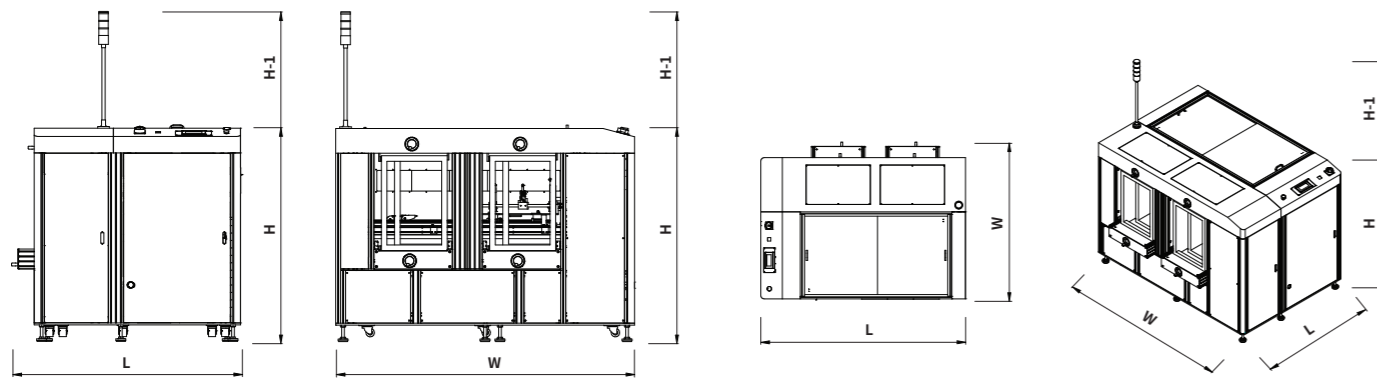
Shuttle Unloader - AGV

Magazine Buffer

Shuttle Loader (2-racks / 3-racks)



Located at the first stage of SMT line, this unit consists of a coupling of a single shuttle and a rack part then transfers PCBs stacked in a magazine rack to the downstream machine using a puller mounted on the single shuttle one by one. The rack part is designed to accommodate racks of various sizes.



CODE No.	MODEL	Magazine Capacity(ea)	SIZE	DIMENSION (mm)				WEIGHT (Kg)
				L	W	H	H-1	
M-10C-AM1-0403	ASLD-02 M CE	2-racks	M	1100	1450	1600	2000	470
M-10C-AL1-0403	ASLD-02 L CE	2-racks	L	1200	1520	1600	2000	530
M-10C-AX1-0403	ASLD-02 X CE	2-racks	XL	1280	1620	1600	2000	590
M-10C-AM1-0404	ASLD-03 M CE	3-racks	M	1100	1750	1600	2000	540
M-10C-AL1-0404	ASLD-03 L CE	3-racks	L	1200	1960	1600	2000	600
M-10C-AX1-0404	ASLD-03 X CE	3-racks	XL	1280	2080	1600	2000	670

Standard Spec.			
Item	Standard		
Line Flow	Left to Right	Right to Left	
Fixed Rail	Front	Rear	
Pass Line (mm)	950±20	900±20	
Voltage & Frequency	220V±(10%) & 50 ~ 60Hz	110V±(10%) & 50 ~ 60Hz	
PCB Size	M	L	XL
Min.PCB (L X W) (mm)	100 X 70		
Max.PCB (L X W) (mm)	330 X 250	440 X 330	530 X 460
PCB Top/Bottom Clearance (mm)	30 / 25		
PCB Edge (mm)	3		
PCB Loading Weight (kg)	3		
Conveyor Belt	Flat edge belt		
Conveyor Speed (mm/sec) *	200		
PCB Thickness (mm)	0.6 ~ 4.0		
PCB Color	Green		
PCB In/Out Sensor	Single sensor		
Magazine Size (L X W X H)(mm)	M 355 X 320 X 570	L 460 X 400 X 575	XL 535 X 530 X 575
Magazine Slot (ea)	45 (First 5 slots from the bottom may not be used)		
Magazine A size (mm)	34		
Magazine B size (mm)	35		
PCB Loading	Bottom to Upper (6 to 50)		
Magazine Clamping	Hand Crank		
Magazine Size	All size		
Pitch	1~4 (10~40mm)		
Jam Detect Function *	Pneumatic		
Safety Items	Light Curtain / Shutter		
Width Adjustment	Auto		
Interface	SMEMA Pin No. 1, 2, 3, 4, 5, 6		
Smema Cable	3m / 1 ea		
Alarm	Tower lamp (3 color)		
Color *	SR RAL 7035 : NON ESD (H-GY2912-T3-Samhwa Paints)		
Air Supply	0.5Mpa (5bar)		
Air Usage	7.8 ℓ/min		
Electricity Consumption	400W		

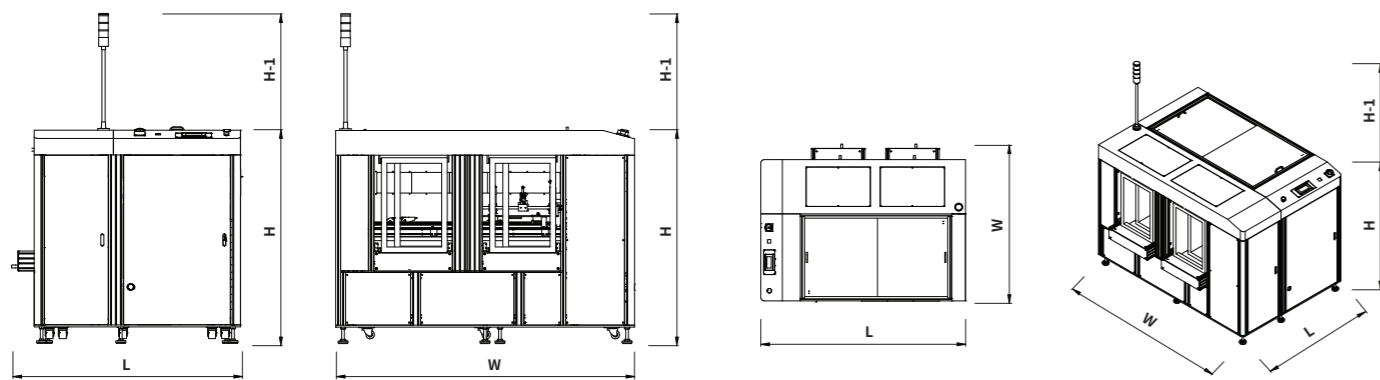
Option Spec.		
Item	CODE No.	Option
Conveyor Speed (mm/sec) *	O-100-HW0-0104	1~200 / Analog / 1ea
Jam Detect Function *	O-100-HW1-0203	Electric-torque(Servo motor)
Magazine Width Adjustment	O-100-HW1-0500	-
Magazine Stopper Release	O-100-HW1-0600	-
Width Synchronization	O-100-SW0-0200	via RS-485
Line Control	O-200-LC0-0100	Hermes
	O-200-LC0-0200	Smart kit (LAN communication PLC)
Color *	O-400-CO0-0100	ESD powder coating(RAL 7035)

Line Control System for Smart Line / MES / Color-NON ESD ▶ Refer to P.75(Common Option Spec.).

Shuttle Loader - AGV (2-racks / 3-racks)



Located at the first stage of SMT line, this unit consists of a coupling of a single shuttle and a rack part then transfers PCBs stacked in a magazine rack to the downstream machine using a puller mounted on the single shuttle one by one. The rack part interlocks with AGV to supply magazine racks.



CODE No.	MODEL	Magazine Capacity(ea)	SIZE	DIMENSION (mm)				WEIGHT (Kg)
				L	W	H	H-1	
M-10C-AM1-0603	ASLD-02 M CE	2-racks	M	1100	1450	1600	2000	470
M-10C-AL1-0603	ASLD-02 L CE	2-racks	L	1200	1520	1600	2000	530
M-10C-AX1-0603	ASLD-02 X CE	2-racks	XL	1280	1620	1600	2000	590
M-10C-AM1-0604	ASLD-03 M CE	3-racks	M	1100	1750	1600	2000	540
M-10C-AL1-0604	ASLD-03 L CE	3-racks	L	1200	1960	1600	2000	600
M-10C-AX1-0604	ASLD-03 X CE	3-racks	XL	1280	2080	1600	2000	670

Standard Spec.			
Item	Standard		
Line Flow	Left to Right	Right to Left	
Fixed Rail	Front	Rear	
Pass Line (mm)	950±20	900±20	
Voltage & Frequency	220V±(10%) & 50 ~ 60Hz	110V±(10%) & 50 ~ 60Hz	
PCB Size	M	L	XL
Min.PCB (L X W) (mm)	100 X 70		
Max.PCB (L X W) (mm)	330 X 250	440 X 330	530 X 460
PCB Top/Bottom Clearance (mm)	30 / 25		
PCB Edge (mm)	3		
PCB Loading Weight (kg)	3		
Conveyor Belt	Flat edge belt		
Conveyor Speed (mm/sec) *	200		
PCB Thickness (mm)	0.6 ~ 4.0		
PCB Color	Green		
PCB In/Out Sensor	Single sensor		
Magazine Size (L X W X H)(mm)	M	L	XL
	355 X 320 X 570	460 X 400 X 575	535 X 530 X 575
Magazine Slot (ea)	45 (First 5 slots from the bottom may not be used)		
Magazine A size (mm)	34		
Magazine B size (mm)	35		
PCB Loading	Bottom to Upper (6 to 50)		
Magazine Clamping	Cylinder		
Magazine Size	One kind		
Pitch	1~4 (10~40mm)		
Jam Detect Function *	Pneumatic		
Safety Item	Light Curtain		
Width Adjustment	Auto		
Interface	SMEMA Pin No. 1, 2, 3, 4, 5, 6		
Smema Cable	3m / 1 ea		
Alarm	Tower lamp (3 color)		
Color *	SR RAL 7035 : NON ESD (H-GY2912-T3-Samhwa Paints)		
Air Supply	0.5Mpa (5bar)		
Air Usage	8.6 ℓ/min		
Electricity Consumption	400W		

Option Spec.		
Item	CODE No.	Option
Conveyor Speed (mm/sec) *	O-100-HW0-0104	1~200 / Analog / 1ea
Jam Detect Function *	O-100-HW1-0203	Electric-torque(Servo motor)
Magazine Width Adjustment	O-100-HW1-0500	-
Magazine Stopper Release	O-100-HW1-0600	-
Width Synchronization	O-100-SW0-0200	via RS-485
Line Control	O-200-LC0-0100	Hermes
	O-200-LC0-0200	Smart kit (LAN communication PLC)
Color *	O-400-CO0-0100	ESD powder coating(RAL 7035)

Line Control System for Smart Line / MES / Color-NON ESD ▶ Refer to P.75(Common Option Spec.).

Loader/Unloader Series

Buffer Series

Link/Work Series

Conveyor Series

Magazine Loader

Magazine Loader - All type

Shuttle Loader

Shuttle Loader - AGV

Magazine Unloader

Magazine Unloader - All type

Shuttle Unloader

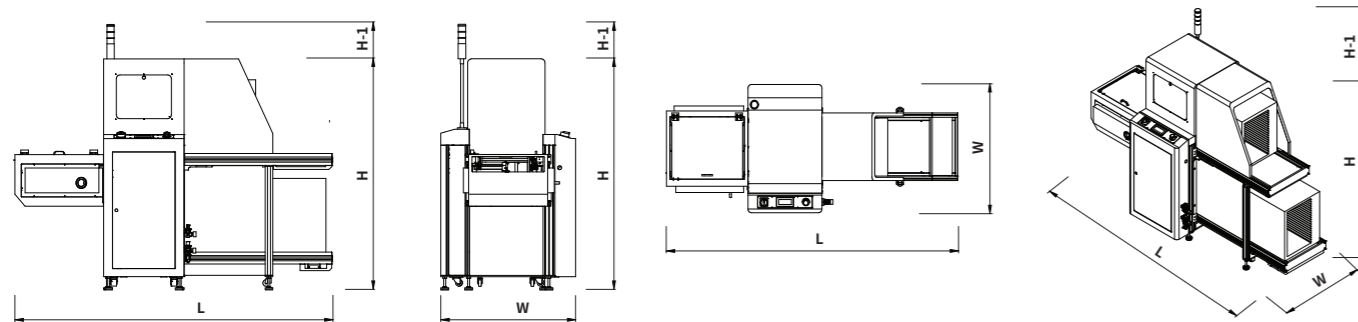
Shuttle Unloader - AGV

Magazine Buffer

Magazine Unloader



Located at the final stage of SMT line, this unit stacks PCBs in an empty magazine rack using a pneumatic pusher one by one.



CODE No.	MODEL	SIZE	DIMENSION (mm)				WEIGHT (Kg)
			L	W	H	H-1	
M-10C-AM1-0200	AUD-22 M CE	M	1770	810	1780	2000	220
M-10C-AL1-0200	AUD-22 L CE	L	2080	920	1780	2000	290
M-10C-AX1-0200	AUD-22 X CE	XL	2480	1220	1780	2000	360

Standard Spec.			
Item	Standard		
Line Flow	Left to Right	Right to Left	
Fixed Rail	Front	Rear	
Pass Line (mm)	950±20	900±20	
Voltage & Frequency	220V±(10%) & 50 ~ 60Hz	110V±(10%) & 50 ~ 60Hz	
PCB Size	M	L	XL
Min.PCB (L X W) (mm)	70 X 70		
Max.PCB (L X W) (mm)	330 X 250	440 X 330	530 X 460
PCB Top/Bottom Clearance (mm)	30 / 25		
PCB Edge (mm)	3		
PCB Loading Weight (kg)	3		
Conveyor Belt	Flat edge belt		
Conveyor Speed (mm/sec) *	200		
PCB Thickness (mm)	0.6 ~ 4.0		
PCB Color	Green		
PCB In/Out Sensor	Single sensor		
Magazine Size (L X W X H)(mm)	M	L	XL
	355 X 320 X 570	460 X 400 X 575	535 X 530 X 575
Magazine Full Rack (kg)	20	30	50
Magazine Slot (ea)	50		
Magazine A size (mm)	34		
Magazine B size (mm)	35		
PCB Stacking	Bottom to Upper (1 to 50)		
Magazine Loading	Upper to Bottom		
Pitch	1~4 (10~40mm)		
Magazine Capacity (ea)	Upper 2 / Lower 2		
Jam Detect Function *	Pneumatic		
Safety Cover	Outer / Motor		
Width Adjustment *	Manual		
Interface	SMEMA Pin No. 1, 2, 3, 4, 5, 6		
Smema Cable	3m / 1 ea		
Alarm	Tower lamp (3 color)		
Color *	SR RAL 7035 : NON ESD (H-GY2912-T3-Samhwa Paints)		
Air Supply	0.5Mpa (5bar)		
Air Usage	7.80 ℓ/min		
Electricity Consumption	260W		

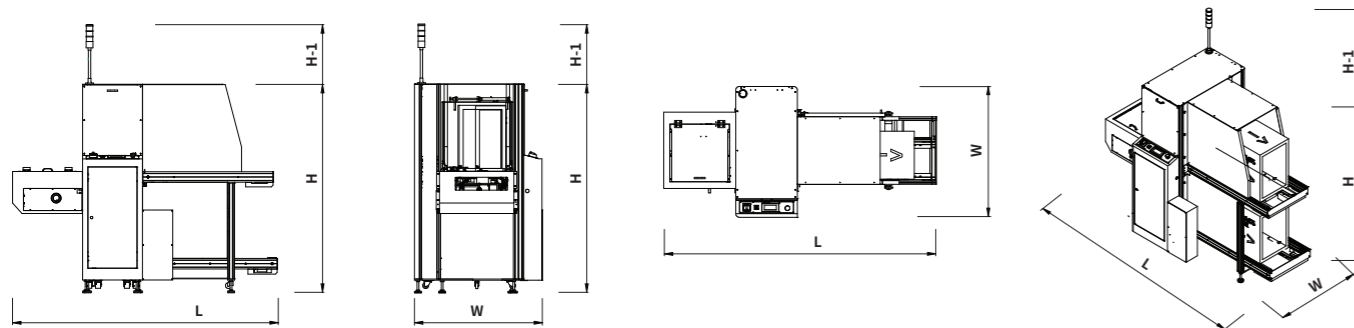
Option Spec.		
Item	CODE No.	Option
Conveyor Speed (mm/sec) *	O-100-HW0-0104	1~200 / Analog / 1ea
Width Adjustment *	O-100-HW0-0205	Auto
High Speed Magazine Change	O-100-HW1-0100	-
Jam Detect Function *	O-100-HW1-0203	Electric-torque(Servo motor)
Width Synchronization	O-100-SW0-0200	via RS-485
Line Control	O-200-LC0-0100	Hermes
	O-200-LC0-0200	Smart kit (LAN communication PLC)
Color *	O-400-CO0-0100	ESD powder coating(RAL 7035)

Line Control System for Smart Line / MES / Color-NON ESD ▶ Refer to P.75(Common Option Spec.).

Magazine Unloader - All type



Located at the final stage of the SMT line, this unit stacks PCBs in an empty magazine rack using a pneumatic pusher one by one. The conveyor part and the inside of the lifter are designed to accommodate racks of various sizes.



CODE No.	MODEL	SIZE	DIMENSION (mm)				WEIGHT (Kg)
			L	W	H	H-1	
M-10C-AL1-0201	AUD-22A L CE	L	2220	1090	1780	2200	360
M-10C-AX1-0201	AUD-22A X CE	XL	2460	1220	1780	2200	430

Standard Spec.		
Item	Standard	
Line Flow	Left to Right	Right to Left
Fixed Rail	Front	Rear
Pass Line (mm)	950±20	900±20
Voltage & Frequency	220V±(10%) & 50 ~ 60Hz	110V±(10%) & 50 ~ 60Hz
PCB Size	L	XL
Min.PCB (L X W) (mm)	70 X 70	
Max.PCB (L X W) (mm)	440 X 330	530 X 460
PCB Top/Bottom Clearance (mm)	30 / 25	
PCB Edge (mm)	3	
PCB Loading Weight (kg)	3	
Conveyor Belt	Flat edge belt	
Conveyor Speed (mm/sec) *	200	
PCB Thickness (mm)	0.6 ~ 4.0	
PCB Color	Green	
PCB In/Out Sensor	Single sensor	
Magazine Size (L X W X H)(mm)	L	XL
	460 X 400 X 575	535 X 530 X 575
Magazine Full Rack (kg)	30	50
Magazine Slot (ea)	50	
Magazine A size (mm)	34	
Magazine B size (mm)	35	
PCB Stacking	Bottom to Upper (1 to 50)	
Magazine Loading	Upper to Bottom	
Pitch	1~4 (10~40mm)	
Magazine Capacity (ea)	Upper 2 / Lower 2	
Jam Detect Function *	Pneumatic	
Safety Cover	Outer / Motor	
Width Adjustment *	Manual	
Interface	SMEMA Pin No. 1, 2, 3, 4, 5, 6	
Smema Cable	3m / 1 ea	
Alarm	Tower lamp (3 color)	
Color *	SR RAL 7035 : NON ESD (H-GY2912-T3-Samhwa Paints)	
Air Supply	0.5Mpa (5bar)	
Air Usage	7.80 l/min	
Electricity Consumption	260W	

Option Spec.		
Item	CODE No.	Option
Conveyor Speed (mm/sec) *	O-100-HW0-0104	1~200 / Analog / 1ea
Width Adjustment *	O-100-HW0-0205	Auto
High Speed Magazine Change	O-100-HW1-0100	-
Jam Detect Function *	O-100-HW1-0203	Electric-torque(Servo motor)
Magazine Type Change-over	O-100-HW1-0300	Auto
Width Synchronization	O-100-SW0-0200	via RS-485
Line Control	O-200-LC0-0100	Hermes
	O-200-LC0-0200	Smart kit (LAN communication PLC)
Color *	O-400-CO0-0100	ESD powder coating(RAL 7035)

Line Control System for Smart Line / MES / Color-NON ESD ▶ Refer to P.75(Common Option Spec.).

Loader/Unloader Series

Buffer Series

Link/Work Series

Conveyor Series

Magazine Loader

Magazine Loader - All type

Shuttle Loader

Shuttle Loader - AGV

Magazine Unloader

Magazine Unloader - All type

Shuttle Unloader

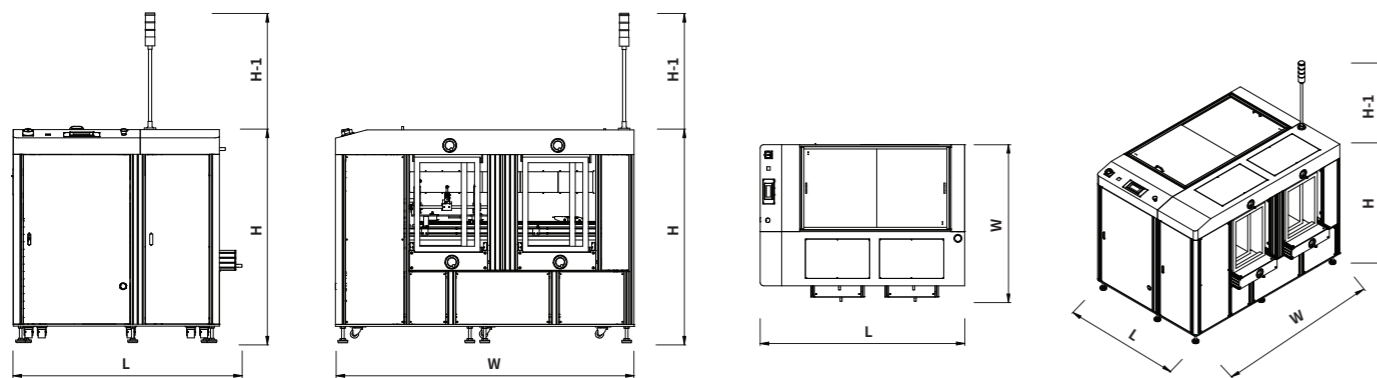
Shuttle Unloader - AGV

Magazine Buffer

Shuttle Unloader (2-racks / 3-racks)



Located at the final stage of SMT line, this unit consists of a coupling of a single shuttle and a rack part and stacks PCBs in an empty magazine rack using a pneumatic pusher mounted on the single shuttle one by one. The rack part is designed to accommodate racks of various sizes.



CODE No.	MODEL	Magazine Capacity(ea)	SIZE	DIMENSION (mm)				WEIGHT (Kg)
				L	W	H	H-1	
M-10C-AM1-0503	ASUD-02 M CE	2-racks	M	1100	1450	1600	2000	470
M-10C-AL1-0503	ASUD-02 L CE	2-racks	L	1200	1520	1600	2000	530
M-10C-AX1-0503	ASUD-02 X CE	2-racks	XL	1280	1620	1600	2000	590
M-10C-AM1-0504	ASUD-03 M CE	3-racks	M	1100	1750	1600	2000	540
M-10C-AL1-0504	ASUD-03 L CE	3-racks	L	1200	1960	1600	2000	600
M-10C-AX1-0504	ASUD-03 X CE	3-racks	XL	1280	2080	1600	2000	670

Standard Spec.			
Item	Standard		
Line Flow	Left to Right	Right to Left	
Fixed Rail	Front	Rear	
Pass Line (mm)	950±20	900±20	
Voltage & Frequency	220V±(10%) & 50 ~ 60Hz		110V±(10%) & 50 ~ 60Hz
PCB Size	M	L	XL
Min.PCB (L X W) (mm)	100 X 70		
Max.PCB (L X W) (mm)	330 X 250	440 X 330	530 X 460
PCB Top/Bottom Clearance (mm)	30 / 25		
PCB Edge (mm)	3		
PCB Loading Weight (kg)	3		
Conveyor Belt	Flat edge belt		
Conveyor Speed (mm/sec) *	200		
PCB Thickness (mm)	0.6 ~ 4.0		
PCB Color	Green		
PCB In/Out Sensor	Single sensor		
Magazine Size (L X W X H)(mm)	M	L	XL
	355 X 320 X 570	460 X 400 X 575	535 X 530 X 575
Magazine Slot (ea)	50		
Magazine A size (mm)	34		
Magazine B size (mm)	35		
PCB Stacking	Upper to Bottom (50 to 1)		
Magazine Clamping	Hand Crank		
Magazine Size	All size		
Pitch	1~4 (10~40mm)		
Jam Detect Function *	Pneumatic		
Safety Items	Light Curtain / Shutter		
Width Adjustment	Auto		
Interface	SMEMA Pin No. 1, 2, 3, 4, 5, 6		
Smema Cable	3m / 1 ea		
Alarm	Tower lamp (3 color)		
Color *	SR RAL 7035 : NON ESD (H-GY2912-T3-Samhwa Paints)		
Air Supply	0.5Mpa (5bar)		
Air Usage	7.8 ℓ/min		
Electricity Consumption	400W		

Option Spec.		
Item	CODE No.	Option
Conveyor Speed (mm/sec) *	O-100-HW0-0104	1~200 / Analog / 1ea
Jam Detect Function *	O-100-HW1-0203	Electric-torque(Servo motor)
Magazine Width Adjustment	O-100-HW1-0500	-
Magazine Stopper Release	O-100-HW1-0600	-
Width Synchronization	O-100-SW0-0200	via RS-485
Line Control	O-200-LC0-0100	Hermes
	O-200-LC0-0200	Smart kit (LAN communication PLC)
Color *	O-400-CO0-0100	ESD powder coating(RAL 7035)

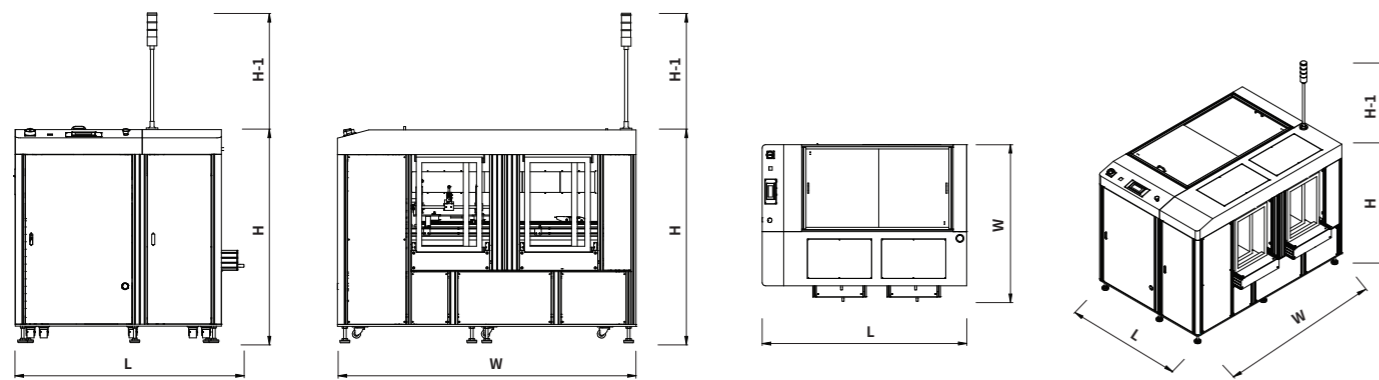
Line Control System for Smart Line / MES / Color-NON ESD ▶ Refer to P.75(Common Option Spec.).

M-10C-A()1 Series

Shuttle Unloader - AGV (2-racks / 3-racks)



Located at the final stage of SMT line, this unit consists of a coupling of a single shuttle and a rack part and stacks PCBs in an empty magazine rack using a pneumatic pusher mounted on the single shuttle one by one. The open rack part interlocks with AGV to supply magazine racks.



CODE No.	MODEL	Magazine Capacity(ea)	SIZE	DIMENSION (mm)				WEIGHT (Kg)
				L	W	H	H-1	
M-10C-AM1-0703	ASUD-02 M CE	2-racks	M	1100	1450	1600	2000	470
M-10C-AL1-0703	ASUD-02 L CE	2-racks	L	1200	1520	1600	2000	530
M-10C-AX1-0703	ASUD-02 X CE	2-racks	XL	1280	1620	1600	2000	590
M-10C-AM1-0704	ASUD-03 M CE	3-racks	M	1100	1750	1600	2000	540
M-10C-AL1-0704	ASUD-03 L CE	3-racks	L	1200	1960	1600	2000	600
M-10C-AX1-0704	ASUD-03 X CE	3-racks	XL	1280	2080	1600	2000	670

Standard Spec.			
Item	Standard		
Line Flow	Left to Right	Right to Left	
Fixed Rail	Front	Rear	
Pass Line (mm)	950±20	900±20	
Voltage & Frequency	220V±(10%) & 50 ~ 60Hz	110V±(10%) & 50 ~ 60Hz	
PCB Size	M	L	XL
Min.PCB (L X W) (mm)	100 X 70		
Max.PCB (L X W) (mm)	330 X 250	440 X 330	530 X 460
PCB Top/Bottom Clearance (mm)	30 / 25		
PCB Edge (mm)	3		
PCB Loading Weight (kg)	3		
Conveyor Belt	Flat edge belt		
Conveyor Speed (mm/sec) *	200		
PCB Thickness (mm)	0.6 ~ 4.0		
PCB Color	Green		
PCB In/Out Sensor	Single sensor		
Magazine Size (L X W X H)(mm)	M	L	XL
	355 X 320 X 570	460 X 400 X 575	535 X 530 X 575
Magazine Slot (ea)	50		
Magazine A size (mm)	34		
Magazine B size (mm)	35		
PCB Stacking	Upper to Bottom (50 to 1)		
Magazine Clamping	Cylinder		
Magazine Size	One Kind		
Pitch	1~4 (10~40mm)		
Jam Detect Function *	Pneumatic		
Safety Item	Light Curtain		
Width Adjustment	Auto		
Interface	SMEMA Pin No. 1, 2, 3, 4, 5, 6		
Smema Cable	3m / 1 ea		
Alarm	Tower lamp (3 color)		
Color *	SR RAL 7035 : NON ESD (H-GY2912-T3-Samhwa Paints)		
Air Supply	0.5Mpa (5bar)		
Air Usage	8.6 ℓ/min		
Electricity Consumption	400W		

Option Spec.		
Item	CODE No.	Option
Conveyor Speed (mm/sec) *	O-100-HW0-0104	1~200 / Analog / 1ea
Jam Detect Function *	O-100-HW1-0203	Electric-torque(Servo motor)
Magazine Width Adjustment	O-100-HW1-0500	-
Magazine Stopper Release	O-100-HW1-0600	-
Width Synchronization	O-100-SW0-0200	via RS-485
Line Control	O-200-LC0-0100	Hermes
	O-200-LC0-0200	Smart kit (LAN communication PLC)
Color *	O-400-CO0-0100	ESD powder coating(RAL 7035)

Line Control System for Smart Line / MES / Color-NON ESD ▶ Refer to P.75(Common Option Spec.).

Loader/Unloader Series

Buffer Series

Link/Work Series

Conveyor Series

Magazine Loader

Magazine Loader - All type

Shuttle Loader

Shuttle Loader - AGV

Magazine Unloader

Magazine Unloader - All type

Shuttle Unloader

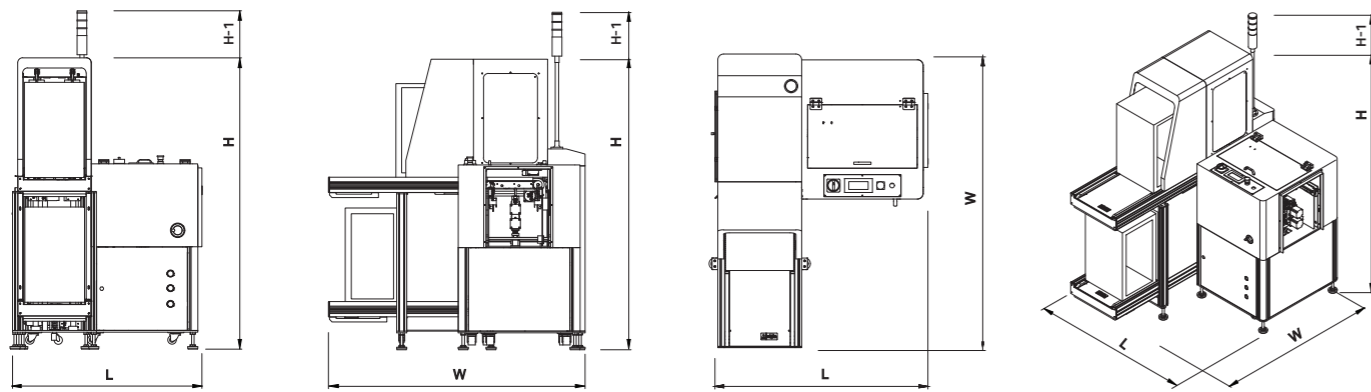
Shuttle Unloader - AGV

Magazine Buffer

Magazine Buffer



This unit handles PCBs in variable operation modes in line.



CODE No.	MODEL	SIZE	DIMENSION (mm)				WEIGHT (Kg)
			L	W	H	H-1	
M-10C-AM1-0300	AMB-22 M CE	M	1000	1470	1780	2000	300
M-10C-AL1-0300	AMB-22 L CE	L	1210	1700	1780	2000	370
M-10C-AX1-0300	ABM-22 X CE	XL	1390	2110	1780	2000	410

Standard Spec.			
Item	Standard		
Line Flow	Left to Right	Right to Left	
Fixed Rail	Front	Rear	
Pass Line (mm)	950±20		900±20
Voltage & Frequency	220V±(10%) & 50 ~ 60Hz		110V±(10%) & 50 ~ 60Hz
PCB Size	M	L	XL
Min.PCB (L X W) (mm)	70 X 70		
Max.PCB (L X W) (mm)	330 X 250	440 X 330	530 X 460
PCB Top/Bottom Clearance (mm)	30 / 25		
PCB Edge (mm)	3		
PCB Loading Weight (kg)	3		
Conveyor Belt	Flat edge belt		
Conveyor Speed (mm/sec) *	200		
PCB Thickness (mm)	0.6 ~ 4.0		
PCB Color	Green		
PCB In/Out Sensor	Single sensor		
Magazine Size (L X W X H)(mm)	M	L	XL
	355 X 320 X 570	460 X 400 X 575	535 X 530 X 575
Magazine Full Rack (kg)	20	30	50
Magazine Slot (ea)	50		
Magazine A size (mm)	34		
Magazine B size (mm)	35		
Magazine Loading	Front / Rear		
Pitch	1~4 (10~40mm)		
Mode	By pass / Buffering(FIFO, LIFO) / Loading / Unloading / NG Stacking		
Magazine Capacity (ea)	Upper 2 / Lower 2		
Exit Guide	Fixed block in fixed rail side		
Jam Detect Function *	Pneumatic		
Safety Cover	Outer / Motor		
Width Adjustment *	Manual		
Interface	SMEMA Pin No. 1, 2, 3, 4, 5, 6		
Smema Cable	3m / 1 ea		
Alarm	Tower lamp (3 color)		
Color *	SR RAL 7035 : NON ESD (H-GY2912-T3-Samhwa Paints)		
Air Supply	0.5Mpa (5bar)		
Air Usage	11.30 ℓ/min		
Electricity Consumption	260W		

Option Spec.		
Item	CODE No.	Option
Conveyor Speed (mm/sec) *	O-100-HW0-0104	1~200 / Analog / 1ea
Width Adjustment *	O-100-HW0-0205	Auto
High Speed Magazine Change	O-100-HW1-0100	-
Jam Detect Function *	O-100-HW1-0203	Electric-torque(Servo motor) / 2ea
Width Synchronization	O-100-SW0-0200	via RS-485
Line Control	O-200-LC0-0100	Hermes
	O-200-LC0-0200	Smart kit (LAN communication PLC)
Color *	O-400-CO0-0100	ESD powder coating(RAL 7035)

Line Control System for Smart Line / MES / Color-NON ESD ▶ Refer to P.75(Common Option Spec.).

BOARD HANDLING

BUFFER SERIES

[M-10C-A()2 SERIES]

Tower + Conveyor	P. 30
Tower + Conveyor - Cooling	P. 32
Tower + NG Conveyor	P. 34



➤ Tower+Conveyor



➤ Tower+Conveyor-Cooling



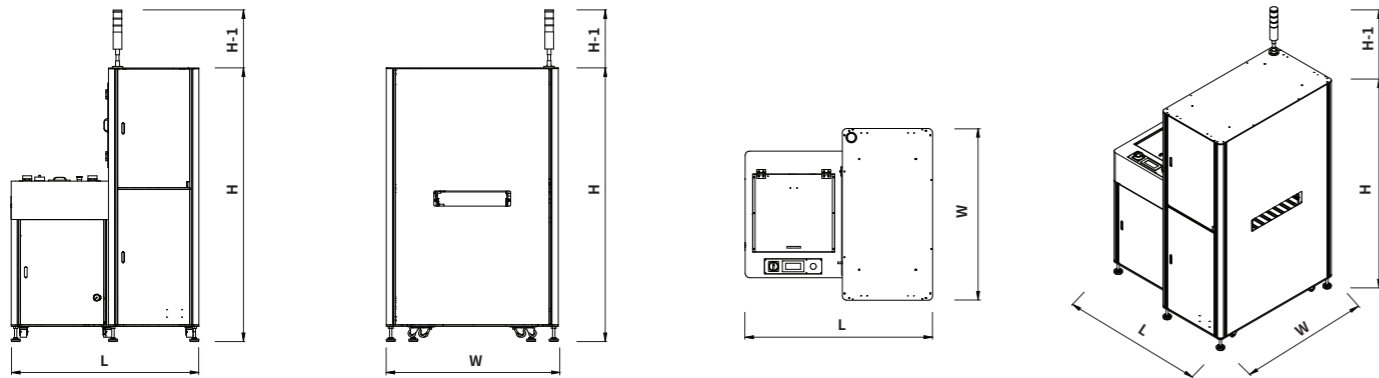
➤ Tower+NG Conveyor



Tower + Conveyor



This equipment is located between SMT machines to improve working efficiency by buffering PCB.



CODE No.	MODEL	SLOT (ea)	SIZE	DIMENSION (mm)				WEIGHT (Kg)
				L	W	H	H-1	
M-10C-AM2-0500	AMR-10 M CE	10	M	1120	930	1850	2200	310
M-10C-AX2-0500	AMR-10 X CE	10	XL	1250	1140	1850	2200	360
M-10C-AM2-0502	AMR-30 M CE	30	M	1120	930	1950	2300	380
M-10C-AX2-0502	AMR-30 X CE	30	XL	1250	1140	1950	2300	445

Standard Spec.		
Item	Standard	
Line Flow	Left to Right	Right to Left
Fixed Rail	Front	Rear
Pass Line (mm)	950±20	900±20
Voltage & Frequency	220V±(10%) & 50 ~ 60Hz	110V±(10%) & 50 ~ 60Hz
PCB Size	M	XL
Min.PCB (L X W) (mm)	70 X 60	
Max.PCB (L X W) (mm)	330 X 250	530 X 460
PCB Top/Bottom Clearance (mm)	30 / 25	
PCB Edge (mm)	3	
PCB Loading Weight (kg)	Rack Part : 2	Conveyor Part : 3
PCB Stacking Weight (kg)	50	
Slot of Rack (ea)	10 (±33mm)	30 (±10mm)
Pitch	1~4 (66~264mm)	1~4 (20~80mm)
Conveyor Belt	Flat edge belt	
Conveyor Speed (mm/sec) *	200	
PCB Thickness (mm)	0.6 ~ 4.0	
PCB Color	Green	
PCB In/Out Sensor	Single sensor	
Mode	FIFO, LIFO / By pass	
Width Adjustment *	Manual	
Interface	SMEMA Pin No. 1, 2, 3, 4, 5, 6	
Smema Cable	3m / 1 ea	
Alarm	Tower lamp (3 color)	
Color *	SR RAL 7035 : NON ESD (Samhwa Paints)	
Air Supply	0.5Mpa(5bar)	
Air Usage	9.0 ℓ/min	
Electricity Consumption	220W	

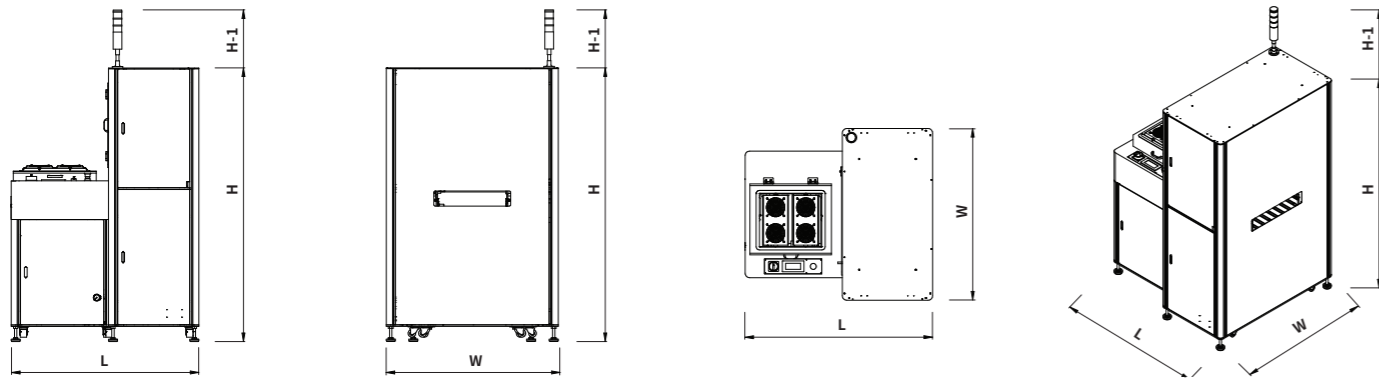
Option Spec.			
Item	CODE No.	Option	
Conveyor Speed (mm/sec) *	O-100-HW0-0104	Rack Part	1~200 / Analog / 2ea
		Conveyor Part	1~200 / Analog / 1ea
Width Adjustment *	O-100-HW0-0205	Rack Part	Auto / 1ea
		Conveyor Part	Auto / 1ea
Width Synchronization	O-100-SW0-0200	via RS-485	
Line Control	O-200-LC0-0100	Hermes	
	O-200-LC0-0200	Smart kit (LAN communication PLC)	
Color *	O-400-CO0-0100	ESD powder coating(RAL 7035)	

Line Control System for Smart Line / MES / Color-NON ESD ▶ Refer to P.75(Common Option Spec.).

Tower + Conveyor - Cooling



This equipment is located after oven to be down the temperature of PCB and buffering.



CODE No.	MODEL	SLOT (ea)	SIZE	DIMENSION (mm)				WEIGHT (Kg)
				L	W	H	H-1	
M-10C-AM2-0600	AMR-10C M CE	10	M	1120	930	1850	2200	315
M-10C-AX2-0600	AMR-10C X CE	10	XL	1250	1140	1850	2200	365
M-10C-AM2-0602	AMR-30C M CE	30	M	1120	930	1950	2300	385
M-10C-AX2-0602	AMR-30C X CE	30	XL	1250	1140	1950	2300	450

Standard Spec.		
Item	Standard	
Line Flow	Left to Right	Right to Left
Fixed Rail	Front	Rear
Pass Line (mm)	950±20	900±20
Voltage & Frequency	220V±(10%) & 50 ~ 60Hz	110V±(10%) & 50 ~ 60Hz
PCB Size	M	XL
Min.PCB (L X W) (mm)	70 X 60	
Max.PCB (L X W) (mm)	330 X 250	530 X 460
PCB Top/Bottom Clearance (mm)	30 / 25	
PCB Edge (mm)	3	
PCB Loading Weight (kg)	Rack Part : 2	Conveyor Part : 3
PCB Stacking Weight (kg)	50	
Slot of Rack (ea)	10 (±33mm)	30 (±10mm)
Pitch	1~4 (66~264mm)	1~4 (20~80mm)
Conveyor Belt	Flat edge belt	
Conveyor Speed (mm/sec) *	200	
PCB Thickness (mm)	0.6 ~ 4.0	
PCB Color	Green	
PCB In/Out Sensor	Single sensor	
120pi Cooling Fans	Attached to conveyor parts and rack parts	
Mode	FIFO, LIFO / By pass	
Width Adjustment *	Manual	
Interface	SMEMA Pin No. 1, 2, 3, 4, 5, 6	
Smema Cable	3m / 1 ea	
Alarm	Tower lamp (3 color)	
Color *	SR RAL 7035 : NON ESD (Samhwa Paints)	
Air Supply	0.5Mpa(5bar)	
Air Usage	9.0 ℓ/min	
Electricity Consumption	220W	

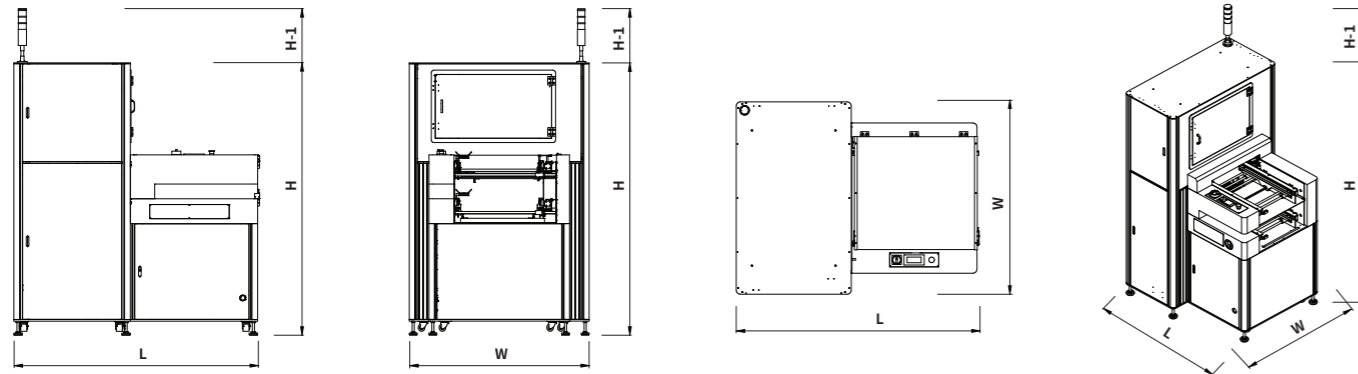
Option Spec.			
Item	CODE No.	Option	
Conveyor Speed (mm/sec) *	O-100-HW0-0104	Rack Part	1~200 / Analog / 2ea
		Conveyor Part	1~200 / Analog / 1ea
Width Adjustment *	O-100-HW0-0205	Rack Part	Auto / 1ea
		Conveyor Part	Auto / 1ea
Intelligent Function	O-100-SW0-0100	-	
Width Synchronization	O-100-SW0-0200	via RS-485	
Line Control	O-200-LC0-0100	Hermes	
	O-200-LC0-0200	Smart kit (LAN communication PLC)	
Color *	O-400-CO0-0100	ESD powder coating(RAL 7035)	

Line Control System for Smart Line / MES / Color-NON ESD ▶ Refer to P.75(Common Option Spec.).

Tower + NG Conveyor



This unit is located after SPI/AOI Machine to inspect NG boards in the line. The operator can CALL NG boards in the rack onto the 2nd layer of the conveyor part to inspect them visually while the GOOD boards are being passed through to the next machine without any interruptions.



CODE No.	MODEL	SLOT (ea)	SIZE	DIMENSION (mm)				WEIGHT (Kg)
				L	W	H	H-1	
M-10C-AM2-0700	AMR-10N M CE	10	M	1120	930	1850	2200	450
M-10C-AX2-0700	AMR-10N X CE	10	XL	1250	1140	1850	2200	480
M-10C-AM2-0702	AMR-20N M CE	20	M	1120	930	1950	2300	460
M-10C-AX2-0702	AMR-20N X CE	20	XL	1250	1140	1950	2300	510

Standard Spec.		
Item	Standard	
Line Flow	Left to Right	Right to Left
Fixed Rail	Front	Rear
Pass Line (mm)	950±20	900±20
Voltage & Frequency	220V±(10%) & 50 ~ 60Hz	110V±(10%) & 50 ~ 60Hz
PCB Size	M	XL
Min.PCB (L X W) (mm)	70 X 60	
Max.PCB (L X W) (mm)	330 X 250	530 X 460
PCB Top/Bottom Clearance (mm)	30 / 25	
PCB Edge (mm)	3	
PCB Loading Weight (kg)	Rack Part : 2	Conveyor Part : 3
PCB Stacking Weight (kg)	50	
Slot of Rack (ea)	10 (±33mm)	20 (±16mm)
Pitch	1	
Conveyor Belt	Flat edge belt	
Conveyor Speed (mm/sec) *	200	
PCB Thickness (mm)	0.6 ~ 4.0	
PCB Color	Green	
PCB In/Out Sensor	Single sensor	
Mode	FIFO, LIFO / By pass / NG Stacking	
Width Adjustment *	Manual	
Interface	SMEMA Pin No. 1, 2, 3, 4, 5, 6	
Smema Cable	3m / 1 ea	
Alarm	Tower lamp (3 color)	
Color *	SR RAL 7035 : NON ESD (Samhwa Paints)	
Air Supply	0.5Mpa(5bar)	
Air Usage	9.0 ℓ/min	
Electricity Consumption	240W	

Option Spec.			
Item	CODE No.	Option	
Conveyor Speed (mm/sec) *	O-100-HW0-0104	Rack Part	1~200 / Analog / 4ea
		Conveyor Part	1~200 / Analog / 2ea
Width Adjustment *	O-100-HW0-0205	Rack Part	Auto / 1ea
		Conveyor Part	Auto / 1ea
Width Synchronization	O-100-SW0-0200	via RS-485	
NG Communication	O-100-SW0-0300	via RS-232	
Line Control	O-200-LC0-0100	Hermes	
	O-200-LC0-0200	Smart kit (LAN communication PLC)	
Color *	O-400-CO0-0100	ESD powder coating(RAL 7035)	

Line Control System for Smart Line / MES / Color-NON ESD ▶ Refer to P.75(Common Option Spec.).

Loader/Unloader Series

Buffer Series

Link/Work Series

Conveyor Series

Tower + Conveyor

Tower + Conveyor
_Cooling

Tower
+ NG Conveyor

BOARD HANDLING

LINK / WORK SERIES

[M-10C-A()3 SERIES]

Connection Conveyor	P. 38
Connection Conveyor - Cooling	P. 40
Work Conveyor - Inspection	P. 42
Work Conveyor - Work	P. 44
NG Conveyor	P. 46



P. 38

➤ Connection Conveyor



P. 40

➤ Connection Conveyor - Cooling



P. 42

➤ Work Conveyor - Inspection



P. 44

➤ Work Conveyor - Work



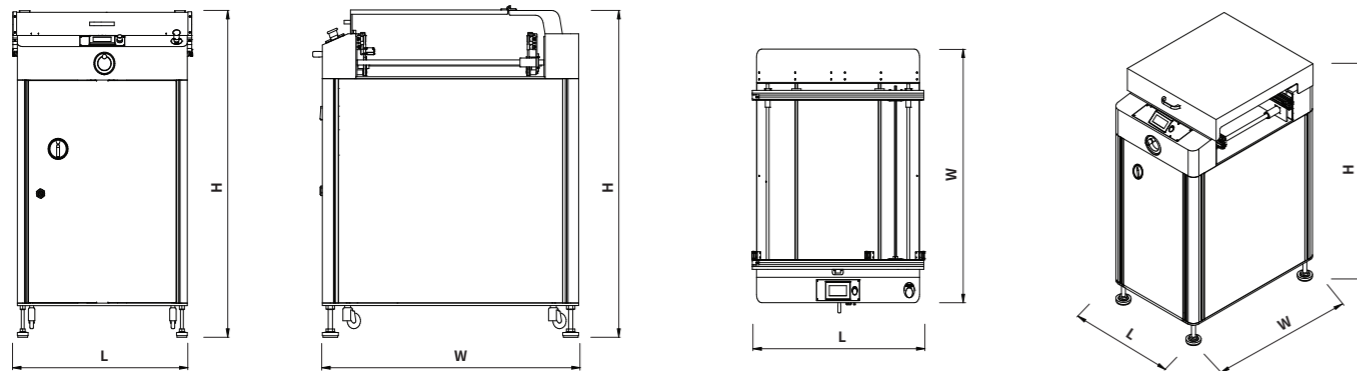
P. 46

➤ NG Conveyor

Connection Conveyor



Using SMEMA interface, this unit is able to create links between any SMT machines.



CODE No.	MODEL	SIZE	DIMENSION (mm)			WEIGHT (Kg)
			L	W	H	
M-10C-AM3-0101	ACC-50 M CE	M	500	680	1050	90
M-10C-AX3-0101	ACC-50 X CE	XL	500	810	1050	100
M-10C-AM3-0102	ACC-100 M CE	M	1000	680	1050	140
M-10C-AX3-0102	ACC-100 X CE	XL	1000	810	1050	165

Standard Spec.		
Item	Standard	
Line Flow	Left to Right	Right to Left
Fixed Rail	Front	Rear
Pass Line (mm)	950±20	900±20
Voltage & Frequency	220V±(10%) & 50 ~ 60Hz	110V±(10%) & 50 ~ 60Hz
PCB Size	M	XL
Min.PCB (L X W) (mm)	70 X 50	
Max.PCB (L X W) (mm)	330 X 250	460 X 460 530 X 460
Note	Maximum board length that can be accommodated on a rail 500mm is 460mm	
PCB Top/Bottom Clearance (mm)	30 / 25	
PCB Edge (mm)	3	
PCB Loading Weight (kg)	3	
Conveyor Belt	Flat edge belt	
Conveyor Speed (mm/sec) *	200	
PCB Thickness (mm)	0.6 ~ 4.0	
PCB Color	Green	
PCB In/Out Sensor	Single sensor	
Mode	By pass	
Length (mm) / Segment (ea)	500 / 1	1000 / 1
Top Cover Type	ESD Top Cover	
Width Adjustment *	Manual	
Interface	SMEMA Pin No. 1, 2, 3, 4, 5, 6	
Smema Cable	3m / 1 ea	
Alarm	Buzzer	
Color *	SR RAL 7035 : NON ESD (H-GY2912-T3-Samhwa Paints)	
Electricity Consumption	20W	

Option Spec.		
Item	CODE No.	Option
Conveyor Speed (mm/sec) *	O-100-HW0-0104	500(L)mm : 1~200 / Analog / 1ea
		1000(L)mm : 1~200 / Analog / 1ea
Width Adjustment *	O-100-HW0-0205	Auto
Add. Segment	O-100-HW3-1000	-
Width Synchronization	O-100-SW0-0200	via RS-485
Line Control	O-200-LC0-0100	Hermes
	O-200-LC0-0200	Smart kit (LAN communication PLC)
Color *	O-400-CO0-0100	ESD powder coating(RAL 7035)

Line Control System for Smart Line / MES / Color-NON ESD ▶ Refer to P.75(Common Option Spec.).

Loader/Unloader Series

Buffer Series

Link/Work Series

Conveyor Series

Connection Conveyor

Connection Conveyor - Cooling

Work Conveyor - Inspection

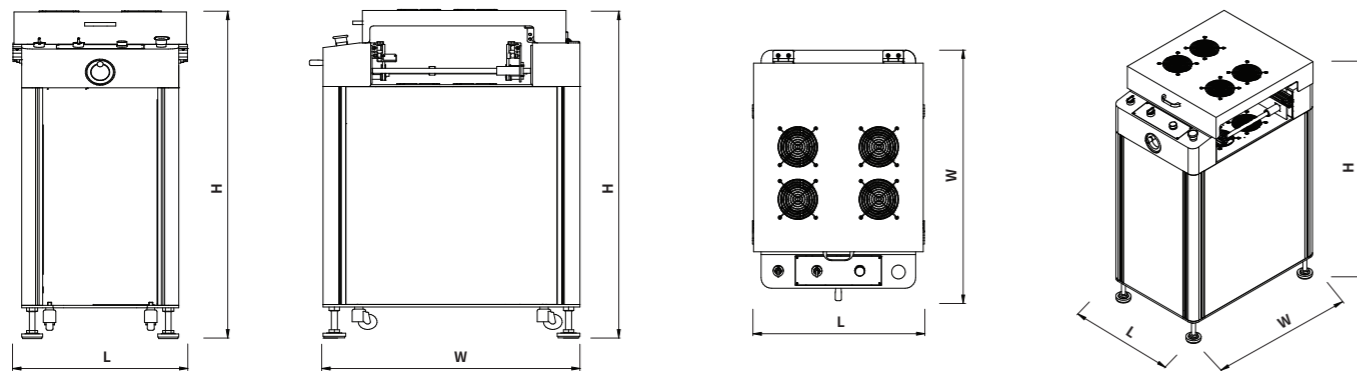
Work Conveyor - Work

NG Conveyor

Connection Conveyor - Cooling



This unit links between SMT machines and cools down PCBs behind Oven in SMT line.



CODE No.	MODEL	SIZE	DIMENSION (mm)			WEIGHT (Kg)
			L	W	H	
M-10C-AM3-0201	ACC-50C M CE	M	500	680	1050	95
M-10C-AX3-0201	ACC-50C X CE	XL	500	810	1050	105
M-10C-AM3-0202	ACC-100C M CE	M	1000	680	1050	145
M-10C-AX3-0202	ACC-100C X CE	XL	1000	810	1050	170

Standard Spec.		
Item	Standard	
Line Flow	Left to Right	Right to Left
Fixed Rail	Front	Rear
Pass Line (mm)	950±20	900±20
Voltage & Frequency	220V±(10%) & 50 ~ 60Hz	110V±(10%) & 50 ~ 60Hz
PCB Size	M	XL
Min.PCB (L X W) (mm)	70 X 50	
Max.PCB (L X W) (mm)	330 X 250	460 X 460
Note	Maximum board length that can be accommodated on a rail 500mm is 460mm	
PCB Top/Bottom Clearance (mm)	30 / 25	
PCB Edge (mm)	3	
PCB Loading Weight (kg)	3	
Conveyor Belt	Flat edge belt	
Conveyor Speed (mm/sec) *	200	
PCB Thickness (mm)	0.6 ~ 4.0	
PCB Color	Green	
PCB In/Out Sensor	Single sensor	
Mode	By pass	
Length (mm) / Segment (ea)	500 / 1	1000 / 1
Fans 120pi (ea)	8	16
Top Cover Type	Advanced Top Cover	
Width Adjustment *	Manual	
Interface	SMEMA Pin No. 1, 2, 3, 4, 5, 6	
Smema Cable	3m / 1 ea	
Alarm	Buzzer	
Color *	SR RAL 7035 : NON ESD (H-GY2912-T3-Samhwa Paints)	
Electricity Consumption	300W	

Option Spec.		
Item	CODE No.	Option
Conveyor Speed (mm/sec) *	O-100-HW0-0104	500(L)mm : 1~200 / Analog / 1ea
		1000(L)mm : 1~200 / Analog / 1ea
Width Adjustment *	O-100-HW0-0205	Auto
Add. Segment	O-100-HW3-1000	-
Width Synchronization	O-100-SW0-0200	via RS-485
Line Control	O-200-LC0-0100	Hermes
	O-200-LC0-0200	Smart kit (LAN communication PLC)
Color *	O-400-CO0-0100	ESD powder coating(RAL 7035)

Line Control System for Smart Line / MES / Color-NON ESD ▶ Refer to P.75(Common Option Spec.).

Loader/Unloader Series

Buffer Series

Link/Work Series

Conveyor Series

Connection Conveyor

Connection Conveyor - Cooling

Work Conveyor - Inspection

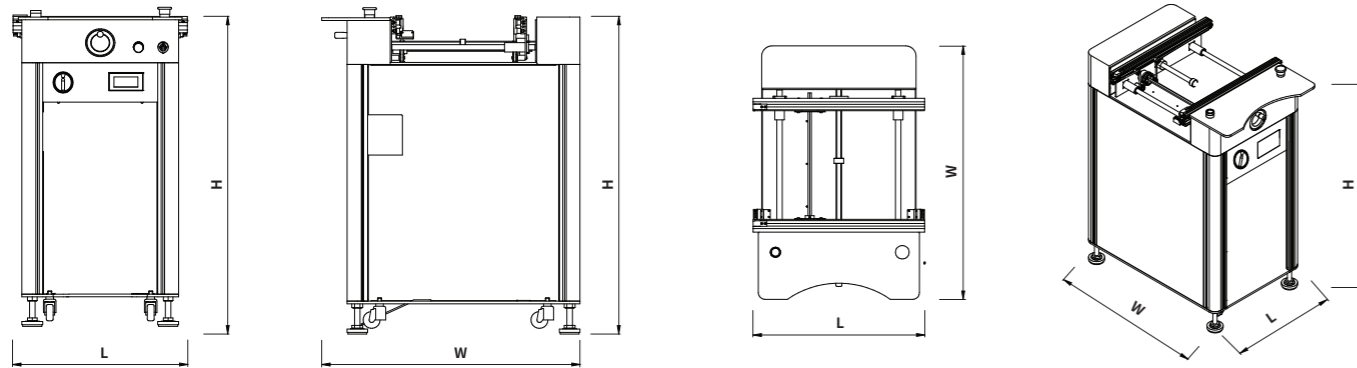
Work Conveyor - Work

NG Conveyor

Work Conveyor - Inspection



This unit links SMT machine and allows inspection on PCBs.



CODE No.	MODEL	SIZE	DIMENSION (mm)			WEIGHT (Kg)
			L	W	H	
M-10C-AM3-0701	AWT-50 M CE	M	500	805	950	90
M-10C-AX3-0701	AWT-50 X CE	XL	500	935	950	100
M-10C-AM3-0702	AWT-100 M CE	M	1000	805	950	140
M-10C-AX3-0702	AWT-100 X CE	XL	1000	935	950	165
M-10C-AM3-0703	AWT-150 M CE	M	1500	805	950	200
M-10C-AX3-0703	AWT-150 X CE	XL	1500	935	950	215

Standard Spec.		
Item	Standard	
Line Flow	Left to Right	Right to Left
Fixed Rail	Front	Rear
Pass Line (mm)	950±20	900±20
Voltage & Frequency	220V±(10%) & 50 ~ 60Hz	110V±(10%) & 50 ~ 60Hz
PCB Size	M	XL
Min.PCB (L X W) (mm)	70 X 50	
Max.PCB (L X W) (mm)	330 X 250	460 X 460 530 X 460
Note	Maximum board length that can be accommodated on a rail 500mm is 460mm	
PCB Top/Bottom Clearance (mm)	30 / 25	
PCB Edge (mm)	3	
PCB Loading Weight (kg)	3	
Conveyor Belt	Flat edge belt	
Conveyor Speed (mm/sec) *	200	
PCB Thickness (mm)	0.6 ~ 4.0	
PCB Color	Green	
PCB In/Out Sensor	Single sensor	
Mode	By pass / Inspection	
Length (mm) / Segment (ea)	500 / 1	1000 / 1 1500 / 1
Completion Switch	Button Type	
Width Adjustment *	Manual	
Interface	SMEMA Pin No. 1, 2, 3, 4, 5, 6	
Smema Cable	3m / 1 ea	
Alarm	Buzzer	
Color *	SR RAL 7035 : NON ESD (H-GY2912-T3-Samhwa Paints)	
Electricity Consumption	30W	

Option Spec.		
Item	CODE No.	Option
Conveyor Speed (mm/sec) *	O-100-HW0-0104	500(L)mm : 1~200 / Analog / 1ea
		1000(L)mm : 1~200 / Analog / 1ea
		1500(L)mm : 1~200 / Analog / 1ea
Width Adjustment *	O-100-HW0-0205	Auto
Add. Segment	O-100-HW3-1000	-
Width Synchronization	O-100-SW0-0200	via RS-485
Line Control	O-200-LC0-0100	Hermes
	O-200-LC0-0200	Smart kit (LAN communication PLC)
Color *	O-400-CO0-0100	ESD powder coating(RAL 7035)

Line Control System for Smart Line / MES / Color-NON ESD ▶ Refer to P.75(Common Option Spec.).

Loader/Unloader Series

Buffer Series

Link/Work Series

Conveyor Series

Connection Conveyor

Connection Conveyor - Cooling

Work Conveyor - Inspection

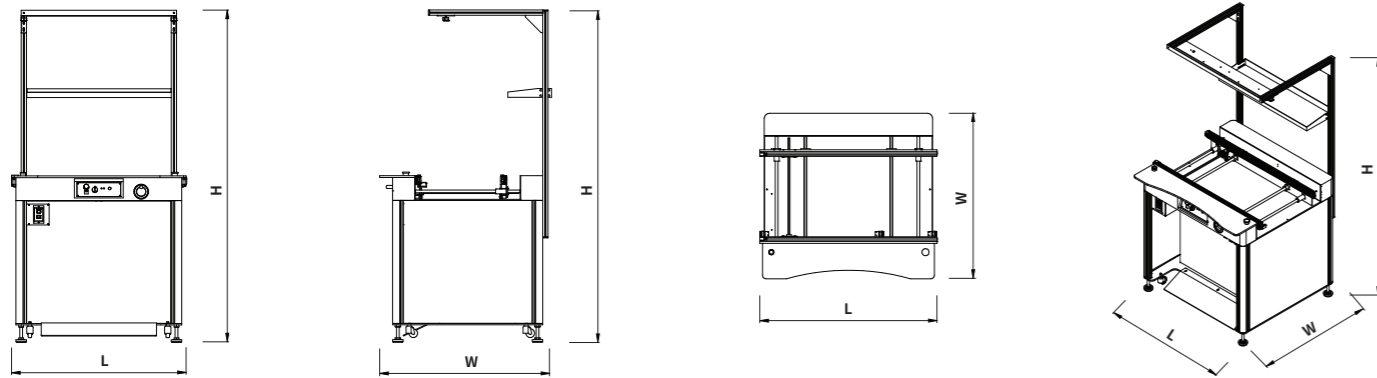
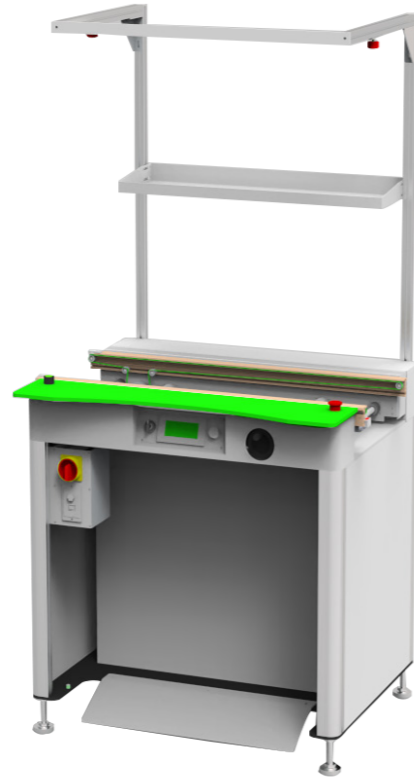
Work Conveyor - Work

NG Conveyor

Work Conveyor - Work



This unit links SMT machine and allows inspection on PCBs.



CODE No.	MODEL	SIZE	DIMENSION (mm)			WEIGHT (Kg)
			L	W	H	
M-10C-AM3-0801	AWT-50 M CE	M	500	805	1800	95
M-10C-AX3-0801	AWT-50 X CE	XL	500	935	1800	105
M-10C-AM3-0802	AWT-100 M CE	M	1000	805	1800	145
M-10C-AX3-0802	AWT-100 X CE	XL	1000	935	1800	170
M-10C-AM3-0803	AWT-150 M CE	M	1500	805	1800	205
M-10C-AX3-0803	AWT-150 X CE	XL	1500	935	1800	220

Standard Spec.		
Item	Standard	
Line Flow	Left to Right	Right to Left
Fixed Rail	Front	Rear
Pass Line (mm)	950±20	900±20
Voltage & Frequency	220V±(10%) & 50 ~ 60Hz	110V±(10%) & 50 ~ 60Hz
PCB Size	M	XL
Min.PCB (L X W) (mm)	70 X 50	
Max.PCB (L X W) (mm)	330 X 250	460 X 460
		530 X 460
Note	Maximum board length that can be accommodated on a rail 500mm is 460mm	
PCB Top/Bottom Clearance (mm)	30 / 25	
PCB Edge (mm)	3	
PCB Loading Weight (kg)	3	
Conveyor Belt	Flat edge belt	
Conveyor Speed (mm/sec) *	200	
PCB Thickness (mm)	0.6 ~ 4.0	
PCB Color	Green	
PCB In/Out Sensor	Single sensor	
Mode	By pass / Inspection	
Length (mm) / Segment (ea)	500 / 1	1000 / 1
		1500 / 1
Completion Switch	Button Type	
Working Accessory	Illumination + Shelf	
Working Table (mm)	200	
Width Adjustment *	Manual	
Interface	SMEMA Pin No. 1, 2, 3, 4, 5, 6	
Smema Cable	3m / 1 ea	
Alarm	Buzzer	
Color *	SR RAL 7035 : NON ESD (H-GY2912-T3-Samhwa Paints)	
Electricity Consumption	40W	

Option Spec.		
Item	CODE No.	Option
Conveyor Speed (mm/sec) *	O-100-HW0-0104	500(L)mm : 1~200 / Analog / 1ea
		1000(L)mm : 1~200 / Analog / 1ea
		1500(L)mm : 1~200 / Analog / 1ea
Width Adjustment *	O-100-HW0-0205	Auto
Add. Segment	O-100-HW3-1000	-
Width Synchronization	O-100-SW0-0200	via RS-485
Line Control	O-200-LC0-0100	Hermes
	O-200-LC0-0200	Smart kit (LAN communication PLC)
Color *	O-400-CO0-0100	ESD powder coating(RAL7035)

Line Control System for Smart Line / MES / Color-NON ESD ▶ Refer to P.75(Common Option Spec.).

Loader/Unloader Series

Buffer Series

Link/Work Series

Conveyor Series

Connection Conveyor

Connection Conveyor - Cooling

Work Conveyor - Inspection

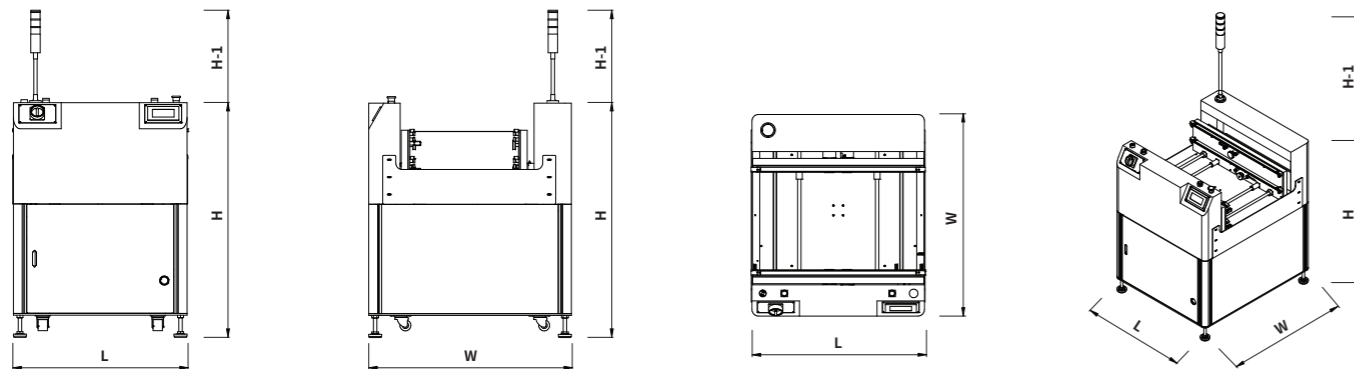
Work Conveyor - Work

NG Conveyor

NG Conveyor



This unit automatically separates GOOD boards and NG boards while allowing visual inspection for NG PCBs without any interruption on GOOD board flow.



CODE No.	MODEL	SIZE	DIMENSION (mm)				WEIGHT (Kg)
			L	W	H	H-1	
M-10C-AM3-0901	ANRC-80 M CE	M	800	730	1150	2000	220
M-10C-AX3-0901	ANRC-80 X CE	XL	800	940	1150	2000	240

Standard Spec.		
Item	Standard	
Line Flow	Left to Right	Right to Left
Fixed Rail	Front	Rear
Pass Line (mm)	950±20	900±20
Voltage & Frequency	220V±(10%) & 50 ~ 60Hz	110V±(10%) & 50 ~ 60Hz
PCB Size	M	XL
Min.PCB (L X W) (mm)	70 X 50	
Max.PCB (L X W) (mm)	330 X 250	530 X 460
PCB Top/Bottom Clearance (mm)	30 / 25	
PCB Edge (mm)	3	
PCB Loading Weight (kg)	3	
Conveyor Belt	Flat edge belt	
Conveyor Speed (mm/sec) *	200	
PCB Thickness (mm)	0.6 ~ 4.0	
PCB Color	Green	
PCB In/Out Sensor	Single sensor	
Mode	By pass / Inspection	
Length (mm) / Segment (ea)	800 / 1	
Completion Switch	Button Type	
Width Adjustment *	Auto	
Interface	SMEMA Pin No. 1, 2, 3, 4, 5, 6	
Smema Cable	3m / 1 ea	
Alarm	Tower lamp (3 colors)	
Color *	SR RAL 7035 : NON ESD (H-GY2912-T3-Samhwa Paints)	
Air Supply	0.5Mpa(5bar)	
Air Usage	2.35 l/min	
Electricity Consumption	80W	

Option Spec.		
Item	CODE No.	Option
Conveyor Speed (mm/sec) *	O-100-HW0-0104	1~200 / Analog / 4ea
Width Adjustment *	O-100-HW0-0205	Auto / 1ea
Width Synchronization	O-100-SW0-0200	via RS-485
Line Control	O-200-LC0-0100	Hermes
	O-200-LC0-0200	Smart kit (LAN communication PLC)
Color *	O-400-CO0-0100	ESD powder coating(RAL 7035)

Line Control System for Smart Line / MES / Color-NON ESD ▶ Refer to P.75(Common Option Spec.).

Loader/Unloader Series

Buffer Series

Link/Work Series

Conveyor Series

Connection Conveyor

Connection Conveyor - Cooling

Work Conveyor - Inspection

Work Conveyor - Work

NG Conveyor

BOARD HANDLING

CONVEYOR SERIES

[M-10C-A()4 SERIES]

Destacker - Knife	P. 50
Destacker - Clamping	P. 52
Destacker - Clamping(Batch)	P. 54
Vacuum Loader - Edge	P. 56
Vacuum Loader - Magnet	P. 58
Stacker	P. 60
PCB Cleaner - Vacuum	P. 62
Gate Conveyor - Telescope	P. 64
Gate Conveyor - Up/Down	P. 66
Vertical Turn	P. 68
Horizontal Turn	P. 70
Shuttle Conveyor	P. 72



➤ Destacker - Knife



➤ Destacker - Clamping



➤ Destacker - Clamping(Batch)



➤ Vacuum Loader - Edge



➤ Vacuum Loader - Magnet



➤ Stacker



➤ PCB cleaner - Vacuum



➤ Gate Conveyor - Telescope



➤ Gate Conveyor - Up/Down



➤ Vertical Turn



➤ Horizontal Turn

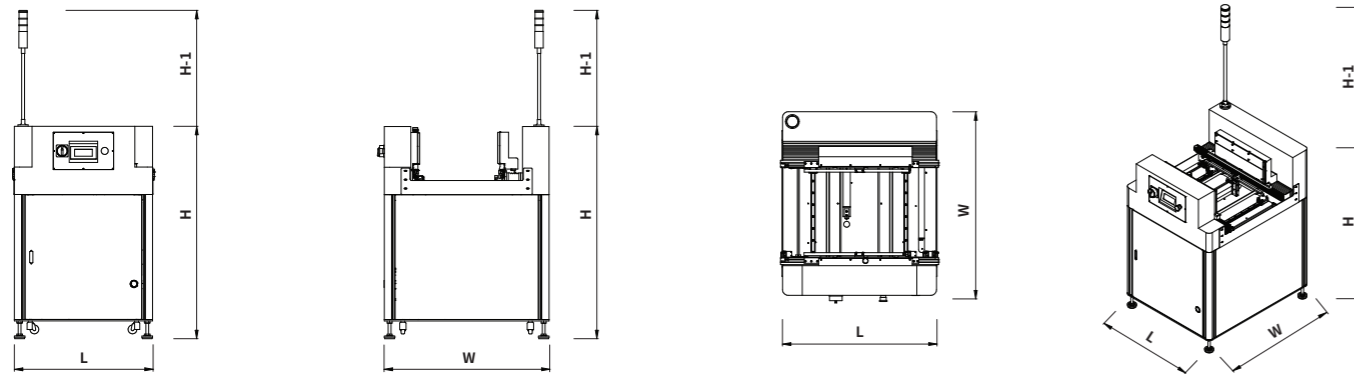


➤ Shuttle Conveyor

M-10C-A()4 Series

Destacker - Knife

Using “Knife Cylinder”, this unit unstacks bare boards one by one



CODE No.	MODEL	SIZE	DIMENSION (mm)				WEIGHT (Kg)
			L	W	H	H-1	
M-10C-AM4-0100	ADL-60 M CE	M	600	720	1200	2000	160
M-10C-AX4-0100	ADL-80 X CE	XL	800	930	1200	2000	200

Standard Spec.		
Item	Standard	
Line Flow	Left to Right	Right to Left
Fixed Rail	Front	Rear
Pass Line (mm)	950±20	900±20
Voltage & Frequency	220V±(10%) & 50 ~ 60Hz	110V±(10%) & 50 ~ 60Hz
PCB Size	M	XL
Min.PCB (L X W) (mm)	70 X 70	
Max.PCB (L X W) (mm)	330 X 250	530 X 460
PCB Top/Bottom Clearance (mm)	00 / 00	
PCB Edge (mm)	3	
PCB Loading Weight (kg)	3	
PCB Stacking Weight (kg)	30	
Conveyor Belt	Flat edge belt	
Conveyor Speed (mm/sec) *	200	
PCB Thickness (mm)	1.0 ~ 2.0	
PCB Color	Green	
PCB In/Out Sensor	Single sensor	
Mode	By pass / Bare board loading	
Width Adjustment	Auto	
Interface	SMEMA Pin No. 1, 2, 3, 4, 5, 6	
Smema Cable	3m / 1 ea	
Alarm	Tower lamp (3 color)	
Color *	SR RAL 7035 : NON ESD (H-GY2912-T3-Samhwa Paints)	
Air Supply	0.5Mpa (5bar)	
Air Usage	0.74 l/min	
Electricity Consumption	20W	

Option Spec.		
Item	CODE No.	Option
Conveyor Speed (mm/sec) *	O-100-HW0-0104	1~200 / Analog / 1ea
Width Synchronization	O-100-SW0-0200	via RS-485
Line Control	O-200-LC0-0100	Hermes
	O-200-LC0-0200	Smart kit (LAN communication PLC)
Color *	O-400-CO0-0100	ESD powder coating(RAL 7035)

Line Control System for Smart Line / MES / Color-NON ESD ▶ Refer to P.75(Common Option Spec.).

Loader/Unloader Series

Buffer Series

Link/Work Series

Conveyor Series

Destacker - Knife

Destacker - Clamping

Destacker - Clamping(Batch)

Vacuum Loader - Edge

Vacuum Loader - Magnet

Stacker

PCB Cleaner - Vacuum

Gate Conveyor - Telescope

Gate Conveyor - Up/Down

Vertical Turn - Motor

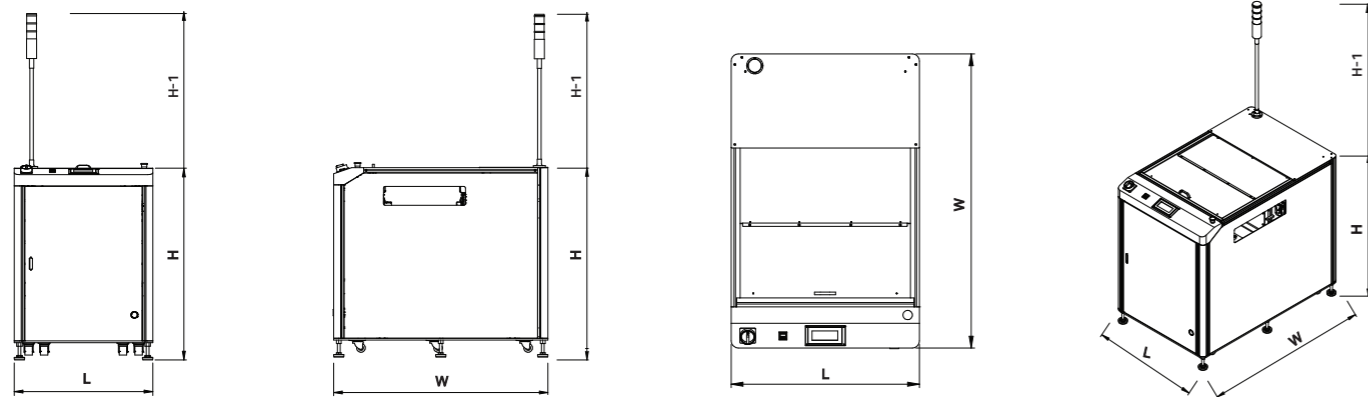
Horizontal Turn - Motor

Shuttle Conveyor

Destacker - Clamping



Using "Side Clamp", this unit unstacks bare boards one by one



CODE No.	MODEL	SIZE	DIMENSION (mm)				WEIGHT (Kg)
			L	W	H	H-1	
M-10C-AL4-0200	ADL-C80 L CE	L	800	1040	1105	2000	360
M-10C-AX4-0200	ADL-C80 X CE	XL	800	1250	1105	2000	400

Standard Spec.		
Item	Standard	
Line Flow	Left to Right	Right to Left
Fixed Rail	Front	Rear
Pass Line (mm)	950±20	900±20
Voltage & Frequency	220V±(10%) & 50 ~ 60Hz	110V±(10%) & 50 ~ 60Hz
PCB Size	L	XL
Min.PCB (L X W) (mm)	70 X 70	
Max.PCB (L X W) (mm)	440 X 330	530 X 460
PCB Top/Bottom Clearance (mm)	00 / 00	
PCB Edge (mm)	3	
PCB Loading Weight (kg)	3	
PCB Stacking Weight (kg)	50	
Conveyor Belt	Flat edge belt	
Conveyor Speed (mm/sec) *	200	
PCB Thickness (mm)	1.0 ~ 2.0	
PCB Color	Green	
PCB In/Out Sensor	Single sensor	
Mode	By pass / Bare board loading	
Top Cover Type	Sliding	
Width Adjustment	Auto	
Interface	SMEMA Pin No. 1, 2, 3, 4, 5, 6	
Smema Cable	3m / 1 ea	
Alarm	Tower lamp (3 color)	
Color *	SR RAL 7035 : NON ESD (H-GY2912-T3-Samhwa Paints)	
Air Supply	0.5Mpa (5bar)	
Air Usage	10.0 l/min	
Electricity Consumption	400W	

Option Spec.		
Item	CODE No.	Option
Conveyor Speed (mm/sec) *	O-100-HW0-0104	1~200 / Analog / 2ea
Vacuum Unit	O-100-HW4-0300	-
Width Synchronization	O-100-SW0-0200	via RS-485
Line Control	O-200-LC0-0100	Hermes
	O-200-LC0-0200	Smart kit (LAN communication PLC)
Color *	O-400-CO0-0100	ESD powder coating(RAL 7035)

Line Control System for Smart Line / MES / Color-NON ESD ▶ Refer to P.75(Common Option Spec.).

Loader/Unloader Series

Buffer Series

Link/Work Series

Conveyor Series

Destacker - Knife

Destacker - Clamping

Destacker - Clamping(Batch)

Vacuum Loader - Edge

Vacuum Loader - Magnet

Stacker

PCB Cleaner - Vacuum

Gate Conveyor - Telescope

Gate Conveyor - Up/Down

Vertical Turn - Motor

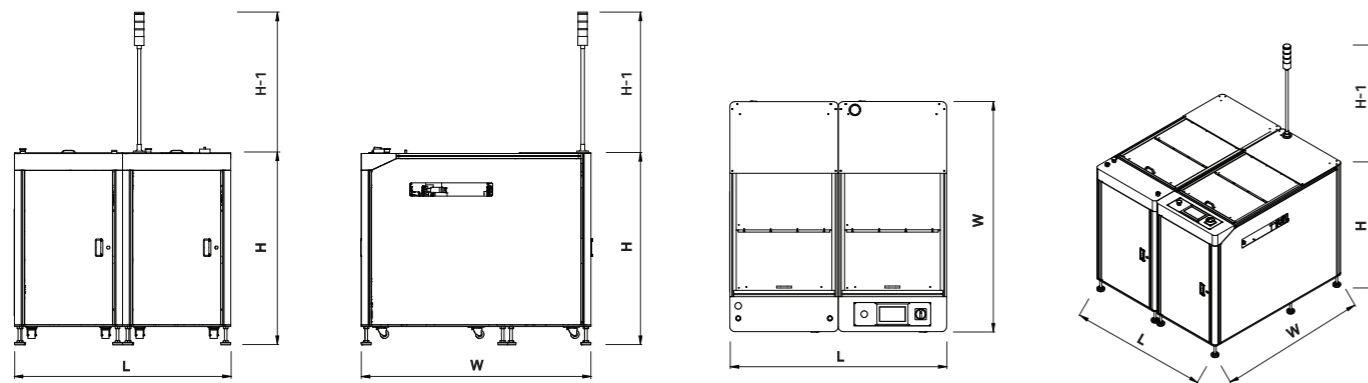
Horizontal Turn - Motor

Shuttle Conveyor

Destacker - Clamping (Batch)



With the buffer station designed to accommodate more PCB batches, operators may utilize time more efficiently.



CODE No.	MODEL	SIZE	DIMENSION (mm)				WEIGHT (Kg)
			L	W	H	H-1	
M-10C-AL4-0201	ADL-C80 L CE	L	1200	1200	1150	2000	440
M-10C-AX4-0201	ADL-C80 X CE	XL	1300	1380	1150	2000	490

Standard Spec.		
Item	Standard	
Line Flow	Left to Right	Right to Left
Fixed Rail	Front	Rear
Pass Line (mm)	950±20	900±20
Voltage & Frequency	220V±(10%) & 50 ~ 60Hz	110V±(10%) & 50 ~ 60Hz
PCB Size	L	XL
Min.PCB (L X W) (mm)	70 X 70	
Max.PCB (L X W) (mm)	440 X 330	530 X 460
PCB Top/Bottom Clearance (mm)	00 / 00	
PCB Edge (mm)	3	
PCB Loading Weight (kg)	3	
PCB Stacking Weight (kg)	50	
Batch Slot (ea)	7	
Conveyor Belt	Flat edge belt	
Conveyor Speed (mm/sec) *	200	
PCB Thickness (mm)	1.0 ~ 2.0	
PCB Color	Green	
PCB In/Out Sensor	Single sensor	
Mode	By pass / Bare board loading	
Top Cover Type	Sliding	
Width Adjustment	Auto	
Interface	SMEMA Pin No. 1, 2, 3, 4, 5, 6	
Smema Cable	3m / 1 ea	
Alarm	Tower lamp (3 color)	
Color *	SR RAL 7035 : NON ESD (H-GY2912-T3-Samhwa Paints)	
Air Supply	0.5Mpa (5bar)	
Air Usage	10.0 l/min	
Electricity Consumption	260W	

Option Spec.			
Item	CODE No.	Option	
Conveyor Speed (mm/sec) *	O-100-HW0-0104	Batch	1~200 / Analog / 2ea
		Destacker	1~200 / Analog / 2ea
Vacuum Unit	O-100-HW4-0300	-	
Width Synchronization	O-100-SW0-0200	via RS-485	
Line Control	O-200-LC0-0100	Hermes	
	O-200-LC0-0200	Smart kit (LAN communication PLC)	
Color *	O-400-CO0-0100	ESD powder coating(RAL 7035)	

Line Control System for Smart Line / MES / Color-NON ESD ▶ Refer to P.75(Common Option Spec.).

Loader/Unloader Series

Buffer Series

Link/Work Series

Conveyor Series

Destacker - Knife

Destacker - Clamping

Destacker - Clamping(Batch)

Vacuum Loader - Edge

Vacuum Loader - Magnet

Stacker

PCB Cleaner - Vacuum

Gate Conveyor - Telescope

Gate Conveyor - Up/Down

Vertical Turn - Motor

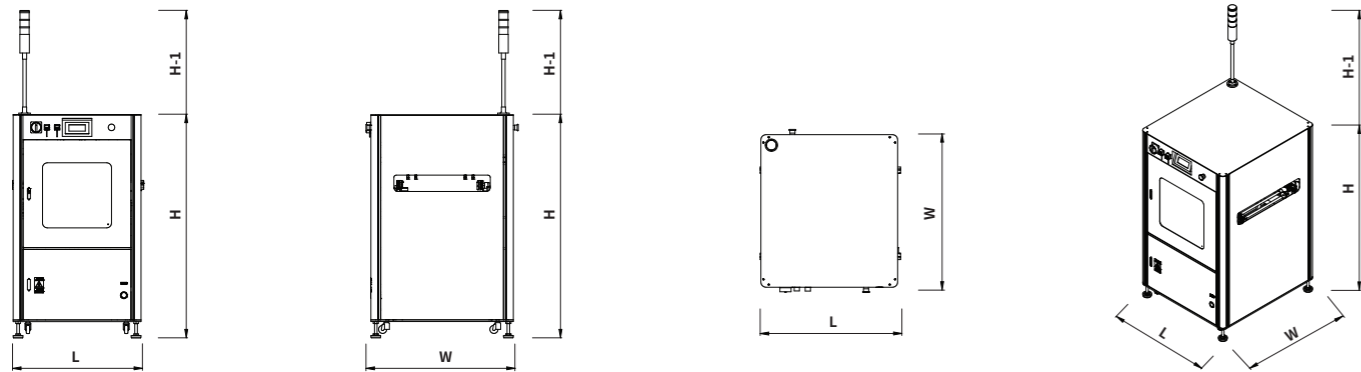
Horizontal Turn - Motor

Shuttle Conveyor

Vacuum Loader - Edge



Using "Edge vacuum pad", this unit unstacks bare boards one by one



CODE No.	MODEL	SIZE	DIMENSION (mm)				WEIGHT (Kg)
			L	W	H	H-1	
M-10C-AM4-0300	AVL-E65 M CE	M	650	990	1700	2000	240
M-10C-AX4-0300	AVL-E85 X CE	XL	850	1200	1700	2000	280

Standard Spec.		
Item	Standard	
Line Flow	Left to Right	Right to Left
Fixed Rail	Front	Rear
Pass Line (mm)	950±20	900±20
Voltage & Frequency	220V±(10%) & 50 ~ 60Hz	110V±(10%) & 50 ~ 60Hz
PCB Size	M	XL
Min.PCB (L X W) (mm)	80 X 80	
Max.PCB (L X W) (mm)	330 X 250	530 X 460
PCB Top/Bottom Clearance (mm)	00 / 00	
PCB Edge (mm)	3	
PCB Loading Weight (kg)	2	2.5
Conveyor Belt	Flat edge belt	
Conveyor Speed (mm/sec) *	200	
PCB Thickness (mm)	0.6 ~ 4.0	
PCB Color	Green	
PCB In/Out Sensor	Single sensor	
Mode	By pass / Bare board loading	
Vacuum Pad	Auto Blocked	
Width Adjustment *	Manual	
Interface	SMEMA Pin No. 1, 2, 3, 4, 5, 6	
Smema Cable	3m / 1 ea	
Alarm	Tower lamp (3 color)	
Color *	SR RAL 7035 : NON ESD (H-GY2912-T3-Samhwa Paints)	
Air Supply	0.5Mpa (5bar)	
Air Usage	6.0 ℓ/min	
Electricity Consumption	20W	

Option Spec.		
Item	CODE No.	Option
Conveyor Speed (mm/sec) *	O-100-HW0-0104	1~200 / Analog / 2ea
Width Adjustment *	O-100-HW0-0205	Auto
Width Synchronization	O-100-SW0-0200	via RS-485
Line Control	O-200-LC0-0100	Hermes
	O-200-LC0-0200	Smart kit (LAN communication PLC)
Color *	O-400-CO0-0100	ESD powder coating(RAL 7035)

Line Control System for Smart Line / MES / Color-NON ESD ▶ Refer to P.75(Common Option Spec.).

Loader/Unloader Series

Buffer Series

Link/Work Series

Conveyor Series

Destacker - Knife

Destacker - Clamping

Destacker - Clamping(Batch)

Vacuum Loader - Edge

Vacuum Loader - Magnet

Stacker

PCB Cleaner - Vacuum

Gate Conveyor - Telescope

Gate Conveyor - Up/Down

Vertical Turn - Motor

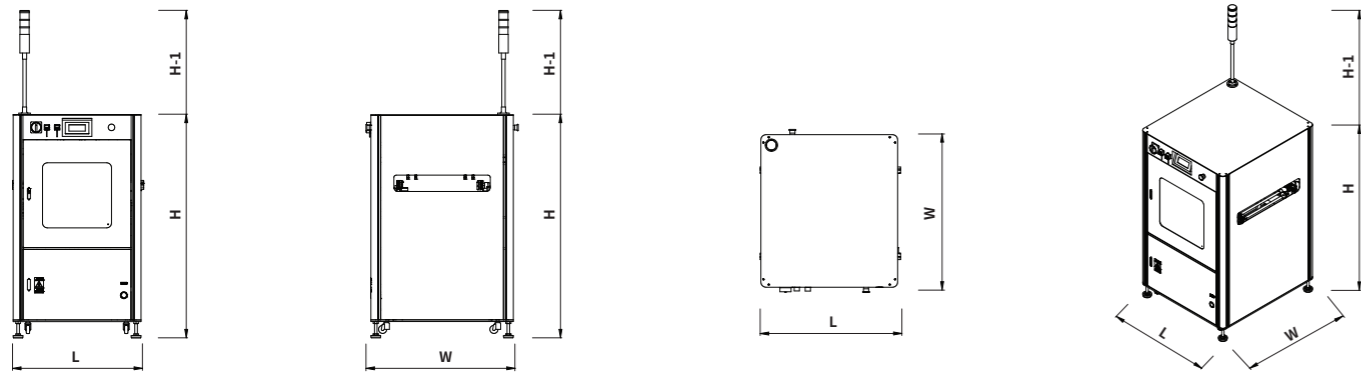
Horizontal Turn - Motor

Shuttle Conveyor

Vacuum Loader - Magnet



Using "Magnet", this unit unstacks bare boards one by one



CODE No.	MODEL	SIZE	DIMENSION (mm)				WEIGHT (Kg)
			L	W	H	H-1	
M-10C-AM4-0310	AVL-60 M CE	M	650	990	1700	2000	200
M-10C-AX4-0310	AVL-80 X CE	XL	850	1200	1700	2000	240

Standard Spec.		
Item	Standard	
Line Flow	Left to Right	Right to Left
Fixed Rail	Front	Rear
Pass Line (mm)	950±20	900±20
Voltage & Frequency	220V±(10%) & 50 ~ 60Hz	110V±(10%) & 50 ~ 60Hz
PCB Size	M	XL
Min.PCB (L X W) (mm)	80 X 80	
Max.PCB (L X W) (mm)	330 X 250	530 X 460
PCB Top/Bottom Clearance (mm)	00 / 00	
PCB Edge (mm)	3	
PCB Loading Weight (kg)	1	2.5
Conveyor Belt	Flat edge belt	
Conveyor Speed (mm/sec) *	200	
PCB Thickness (mm)	0.6 ~ 4.0	
PCB Color	Green	
PCB In/Out Sensor	Single sensor	
Mode	By pass / Bare board loading	
Vacuum Pad	Manual Blocked	
Width Adjustment *	Manual	
Interface	SMEMA Pin No. 1, 2, 3, 4, 5, 6	
Smema Cable	3m / 1 ea	
Alarm	Tower lamp (3 color)	
Color *	SR RAL 7035 : NON ESD (H-GY2912-T3-Samhwa Paints)	
Air Supply	0.5Mpa (5bar)	
Air Usage	6.0 ℓ/min	
Electricity Consumption	20W	

Option Spec.		
Item	CODE No.	Option
Conveyor Speed (mm/sec) *	O-100-HW0-0104	1~200 / Analog / 2ea
Width Adjustment *	O-100-HW0-0205	Auto
Width Synchronization	O-100-SW0-0200	via RS-485
Line Control	O-200-LC0-0100	Hermes
	O-200-LC0-0200	Smart kit (LAN communication PLC)
Color *	O-400-CO0-0100	ESD powder coating(RAL 7035)

Line Control System for Smart Line / MES / Color-NON ESD ▶ Refer to P.75(Common Option Spec.).

Loader/Unloader Series

Buffer Series

Link/Work Series

Conveyor Series

Destacker - Knife

Destacker - Clamping

Destacker - Clamping(Batch)

Vacuum Loader - Edge

Vacuum Loader - Magnet

Stacker

PCB Cleaner - Vacuum

Gate Conveyor - Telescope

Gate Conveyor - Up/Down

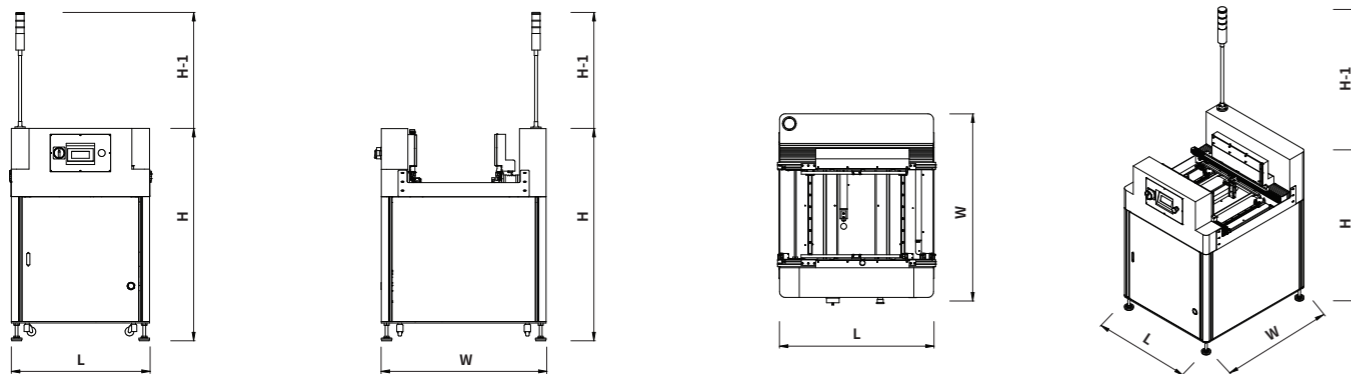
Vertical Turn - Motor

Horizontal Turn - Motor

Shuttle Conveyor



Using cylinder, it lifts up a bare board for stacking up as an unloader of offline laser marking machine.



CODE No.	MODEL	SIZE	DIMENSION (mm)				WEIGHT (Kg)
			L	W	H	H-1	
M-10C-AX4-0400	ADU-80 X CE	XL	800	930	1200	2000	200

Standard Spec.		
Item	Standard	
Line Flow	Left to Right	Right to Left
Fixed Rail	Front	Rear
Pass Line (mm)	950±20	900±20
Voltage & Frequency	220V±(10%) & 50 ~ 60Hz	110V±(10%) & 50 ~ 60Hz
PCB Size	XL	
Min.PCB (L X W) (mm)	70 X 70	
Max.PCB (L X W) (mm)	530 X 460	
PCB Top/Bottom Clearance (mm)	00 / 00	
PCB Edge (mm)	3	
PCB Loading Weight (kg)	3	
PCB Stacking Weight (kg)	50	
Conveyor Belt	Flat edge belt	
Conveyor Speed (mm/sec) *	200	
PCB Thickness (mm)	0.6 ~ 4.0	
PCB Color	Green	
PCB In/Out Sensor	Single sensor	
Width Adjustment *	Manual	
Interface	SMEMA Pin No. 1, 2, 3, 4, 5, 6	
Smema Cable	3m / 1 ea	
Alarm	Tower lamp (3 color)	
Color *	SR RAL 7035 : NON ESD (H-GY2912-T3-Samhwa Paints)	
Air Supply	0.5Mpa (5bar)	
Air Usage	0.74 ℓ/min	
Electricity Consumption	50W	

Option Spec.		
Item	CODE No.	Option
Conveyor Speed (mm/sec) *	O-100-HW0-0104	1~200 / Analog / 1ea
Width Adjustment *	O-100-HW0-0205	Auto
Width Synchronization	O-100-SW0-0200	via RS-485
Line Control	O-200-LC0-0100	Hermes
	O-200-LC0-0200	Smart kit (LAN communication PLC)
Color *	O-400-CO0-0100	ESD powder coating(RAL 7035)

Line Control System for Smart Line / MES / Color-NON ESD ▶ Refer to P.75(Common Option Spec.).

Loader/Unloader Series

Buffer Series

Link/Work Series

Conveyor Series

Destacker - Knife

Destacker - Clamping

Destacker - Clamping(Batch)

Vacuum Loader - Edge

Vacuum Loader - Magnet

Stacker

PCB Cleaner - Vacuum

Gate Conveyor - Telescope

Gate Conveyor - Up/Down

Vertical Turn - Motor

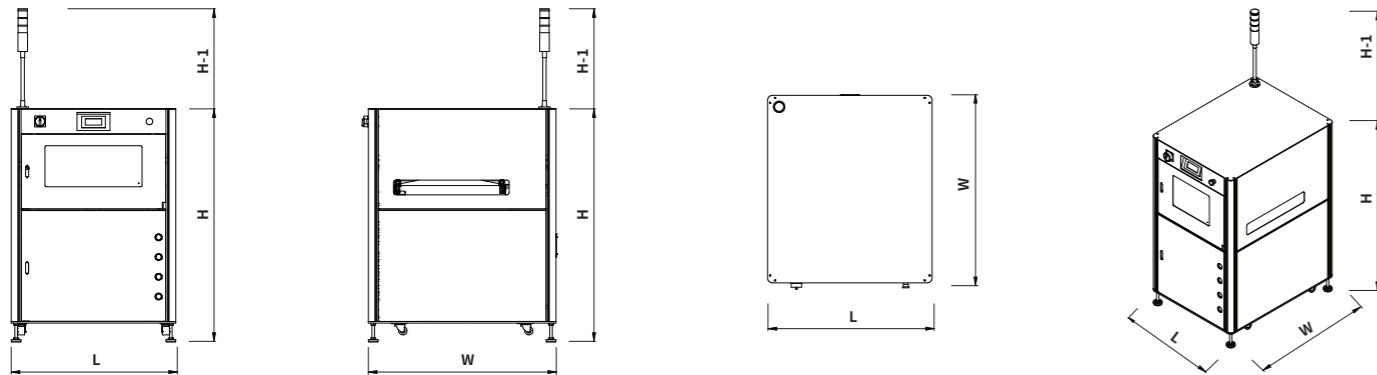
Horizontal Turn - Motor

Shuttle Conveyor

PCB Cleaner - Vacuum



Removes dust and particle on a PCB by vacuum unit and ionizer while being transferred to next process.



CODE No.	MODEL	SIZE	DIMENSION (mm)				WEIGHT (Kg)
			L	W	H	H-1	
M-10C-AL4-0501	ADRC-66 L CE	L	660	900	1410	2000	300
M-10C-AX4-0501	ADRC-77 X CE	XL	760	900	1410	2000	320

Standard Spec.		
Item	Standard	
Line Flow	Left to Right	Right to Left
Fixed Rail	Front	Rear
Pass Line (mm)	950±20	900±20
Voltage & Frequency	220V±(10%) & 50 ~ 60Hz	110V±(10%) & 50 ~ 60Hz
PCB Size	L	XL
Min.PCB (L X W) (mm)	70 X 70	
Max.PCB (L X W) (mm)	440 X 330	530 X 460
PCB Top/Bottom Clearance (mm)	30 / 25	
PCB Edge (mm)	3	
PCB Loading Weight (kg)	3	
Conveyor Belt	Flat edge belt	
Conveyor Speed (mm/sec) *	200	
PCB Thickness (mm)	0.6 ~ 4.0	
PCB Color	Green	
PCB In/Out Sensor	Single sensor	
Mode	By pass / Cleaning	
Ionizer Brand	PANASONIC	
Ionizer Position	Output	
Dust Collector	DOMINO (external type)	
Width Adjustment *	Manual	
Interface	SMEMA Pin No. 1, 2, 3, 4, 5, 6	
Smema Cable	3m / 1 ea	
Alarm	Tower Lamp (3 Colors)	
Color *	SR RAL 7035 : NON ESD (H-GY2912-T3-Samhwa Paints)	
Air Supply	0.5Mpa(5bar)	
Air Usage	2.74 l/min	
Electricity Consumption	1030W	

Option Spec.		
Item	CODE No.	Option
Conveyor Speed (mm/sec) *	O-100-HW0-0104	1~200 / Analog / 1ea
Width Adjustment *	O-100-HW0-0205	Auto
Width Synchronization	O-100-SW0-0200	via RS-485
Line Control	O-200-LC0-0100	Hermes
	O-200-LC0-0200	Smart kit (LAN communication PLC)
Color *	O-400-CO0-0100	ESD powder coating(RAL 7035)

Line Control System for Smart Line / MES / Color-NON ESD ▶ Refer to P.75(Common Option Spec.).

Loader/Unloader Series

Buffer Series

Link/Work Series

Conveyor Series

Destacker - Knife

Destacker - Clamping

Destacker - Clamping(Batch)

Vacuum Loader - Edge

Vacuum Loader - Magnet

Stacker

PCB Cleaner - Vacuum

Gate Conveyor - Telescope

Gate Conveyor - Up/Down

Vertical Turn - Motor

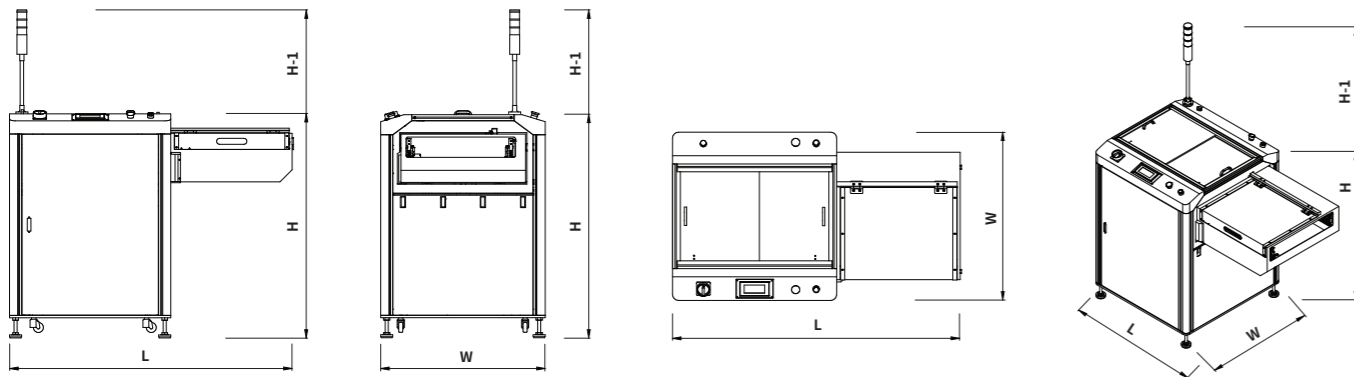
Horizontal Turn - Motor

Shuttle Conveyor

Gate Conveyor - Telescope



In middle of SMT line, this unit allows operators to pass through the line, without interrupting PCB flow.
(Normal open type)



CODE No.	MODEL	SIZE	DIMENSION (mm)				WEIGHT (Kg)
			L	W	H	H-1	
M-10C-AM4-0601	AG1-60 M CE	M	1400(800+600)	610	1110	2000	220
M-10C-AX4-0601	AG1-60 X CE	XL	1400(800+600)	820	1110	2000	230

Standard Spec.		
Item	Standard	
Line Flow	Left to Right	Right to Left
Fixed Rail	Front	Rear
Pass Line (mm)	950±20	900±20
Voltage & Frequency	220V±(10%) & 50 ~ 60Hz	110V±(10%) & 50 ~ 60Hz
PCB Size	M	XL
Min.PCB (L X W) (mm)	70 X 50	
Max.PCB (L X W) (mm)	330 X 250	530 X 460
PCB Top/Bottom Clearance (mm)	30 / 25	
PCB Edge (mm)	3	
PCB Loading Weight (kg)	3	
Conveyor Belt	Flat edge belt	
Conveyor Speed (mm/sec) *	200	
PCB Thickness (mm)	0.6 ~ 4.0	
PCB Color	Green	
PCB In/Out Sensor	Single sensor	
Standard Length (mm)	800(Body) + 600(Passing Rail)	
Safety Sensor	Photo Sensors on Body Part / Safety Sensor at the End of Rail	
Passing Rail Cover	ESD Top Cover	
Width Adjustment *	Manual	
Interface	SMEMA Pin No. 1, 2, 3, 4, 5, 6	
Smema Cable	3m / 1 ea	
Alarm	Tower lamp (3 colors)	
Color *	SR RAL 7035 : NON ESD (H-GY2912-T3-Samhwa Paints)	
Electricity Consumption	50W	

Option Spec.		
Item	CODE No.	Option
Conveyor Speed (mm/sec) *	O-100-HW0-0104	1~200 / Analog / 1ea
Width Adjustment *	O-100-HW0-0205	Auto
Width Synchronization	O-100-SW0-0200	via RS-485
Line Control	O-200-LC0-0100	Hermes
	O-200-LC0-0200	Smart kit (LAN communication PLC)
Color *	O-400-CO0-0100	ESD powder coating(RAL 7035)

Line Control System for Smart Line / MES / Color-NON ESD ▶ Refer to P.75(Common Option Spec.).

Loader/Unloader Series

Buffer Series

Link/Work Series

Conveyor Series

Destacker - Knife

Destacker - Clamping

Destacker - Clamping(Batch)

Vacuum Loader - Edge

Vacuum Loader - Magnet

Stacker

PCB Cleaner - Vacuum

Gate Conveyor - Telescope

Gate Conveyor - Up/Down

Vertical Turn - Motor

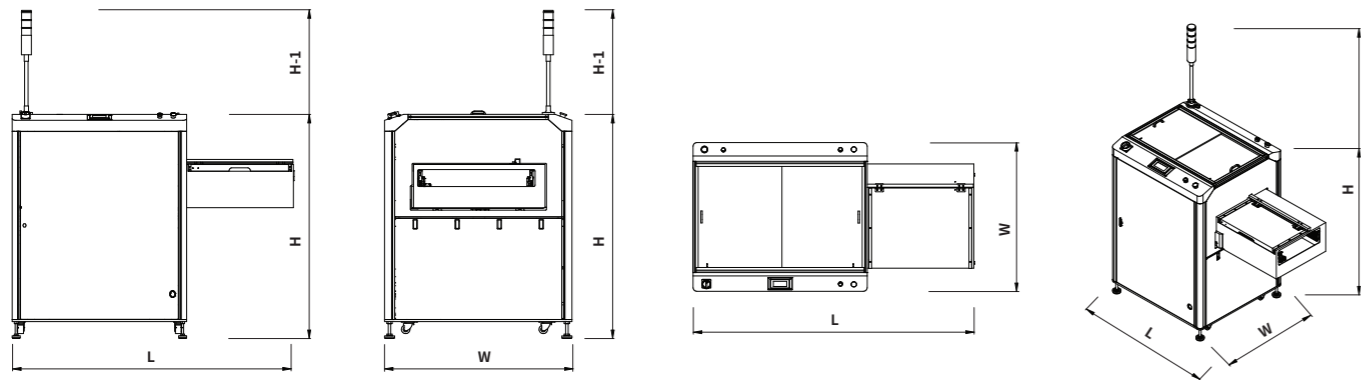
Horizontal Turn - Motor

Shuttle Conveyor

Gate Conveyor - Up/Down



In middle of SMT line, this unit allows operators to pass through the line, without interrupting PCB flow. (Normal closed type)



CODE No.	MODEL	SIZE	DIMENSION (mm)				WEIGHT (Kg)
			L	W	H	H-1	
M-10C-AM4-0602	AG3-60 M CE	M	1500(900+600)	750	1110	2000	340
M-10C-AX4-0602	AG3-60 X CE	XL	1500(900+600)	960	1110	2000	360

Standard Spec.		
Item	Standard	
Line Flow	Left to Right	Right to Left
Fixed Rail	Front	Rear
Pass Line (mm)	950±20	900±20
Voltage & Frequency	220V±(10%) & 50 ~ 60Hz	110V±(10%) & 50 ~ 60Hz
PCB Size	M	XL
Min.PCB (L X W) (mm)	70 X 50	
Max.PCB (L X W) (mm)	330 X 250	530 X 460
PCB Top/Bottom Clearance (mm)	30 / 25	
PCB Edge (mm)	3	
PCB Loading Weight (kg)	3	
Conveyor Belt	Flat edge belt	
Conveyor Speed (mm/sec) *	200	
PCB Thickness (mm)	0.6 ~ 4.0	
PCB Color	Green	
PCB In/Out Sensor	Single sensor	
Standard Length (mm)	900(Body) + 600(Passing Rail)	
Safety Sensor	Photo Sensors on Body Part / Safety Sensor at the End of Rail	
Passing Rail Cover	ESD Top Cover	
Width Adjustment *	Manual	
Interface	SMEMA Pin No. 1, 2, 3, 4, 5, 6	
Smema Cable	3m / 1 ea	
Alarm	Tower lamp (3 colors)	
Color *	SR RAL 7035 : NON ESD (H-GY2912-T3-Samhwa Paints)	
Air Supply	0.5Mpa(5bar)	
Air Usage	22.0 l/min	
Electricity Consumption	50W	

Option Spec.		
Item	CODE No.	Option
Conveyor Speed (mm/sec) *	O-100-HW0-0104	1~200 / Analog / 2ea
Width Adjustment *	O-100-HW0-0205	Auto / 2ea
Width Synchronization	O-100-SW0-0200	via RS-485
Line Control	O-200-LC0-0100	Hermes
	O-200-LC0-0200	Smart kit (LAN communication PLC)
Color *	O-400-CO0-0100	ESD powder coating(RAL 7035)

Line Control System for Smart Line / MES / Color-NON ESD ▶ Refer to P.75(Common Option Spec.).

Loader/Unloader Series

Buffer Series

Link/Work Series

Conveyor Series

Destacker - Knife

Destacker - Clamping

Destacker - Clamping(Batch)

Vacuum Loader - Edge

Vacuum Loader - Magnet

Stacker

PCB Cleaner - Vacuum

Gate Conveyor - Telescope

Gate Conveyor - Up/Down

Vertical Turn - Motor

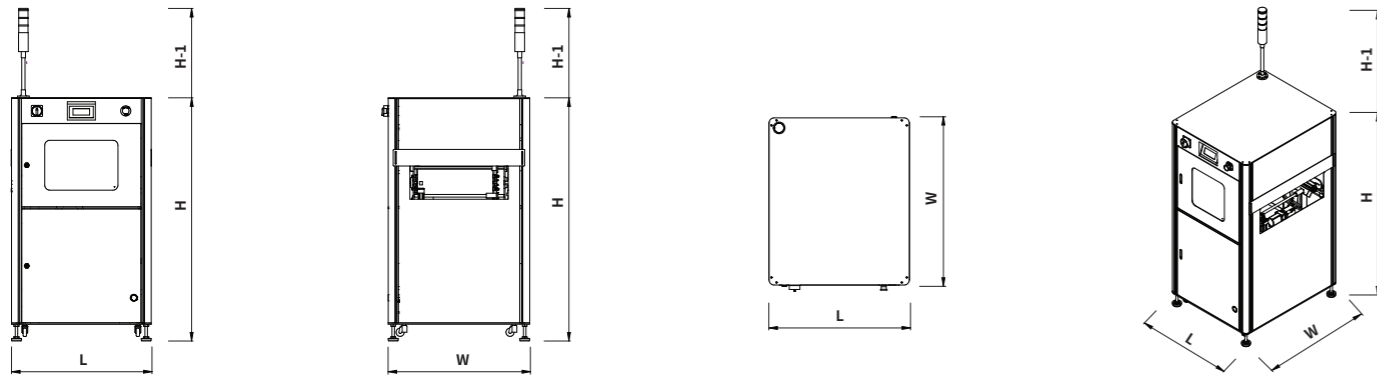
Horizontal Turn - Motor

Shuttle Conveyor

Vertical Turn - Motor



This unit flips the PCBs for double sided assembly.



CODE No.	MODEL	SIZE	DIMENSION (mm)				WEIGHT (Kg)
			L	W	H	H-1	
M-10C-AM4-0700	AVT-M52 M CE	M	520	720	1410	2000	150
M-10C-AX4-0700	AVT-M70 X CE	XL	700	850	1510	2000	190

Standard Spec.		
Item	Standard	
Line Flow	Left to Right	Right to Left
Fixed Rail	Front	Rear
Pass Line (mm)	950±20	900±20
Voltage & Frequency	220V±(10%) & 50 ~ 60Hz	110V±(10%) & 50 ~ 60Hz
PCB Size	M	XL
Min.PCB (L X W) (mm)	70 X 50	
Max.PCB (L X W) (mm)	330 X 250	530 X 460
PCB Top/Bottom Clearance (mm)	30 / 25	
PCB Edge (mm)	3	
PCB Loading Weight (kg)	3	
Conveyor Belt	Flat edge belt	
Conveyor Speed (mm/sec) *	200	
PCB Thickness (mm)	0.6 ~ 4.0	
PCB Color	Green	
PCB In/Out Sensor	Single sensor	
Mode	By pass / Flip and Pass PCB	
Width Adjustment *	Manual	
Interface	SMEMA Pin No. 1, 2, 3, 4, 5, 6	
Smema Cable	3m / 1 ea	
Alarm	Tower Lamp (3 Colors)	
Color *	SR RAL 7035 : NON ESD (H-GY2912-T3-Samhwa Paints)	
Electricity Consumption	210W	

Option Spec.		
Item	CODE No.	Option
Conveyor Speed (mm/sec) *	O-100-HW0-0104	1~200 / Analog / 1ea
Width Adjustment *	O-100-HW0-0205	Auto
Width Synchronization	O-100-SW0-0200	via RS-485
Line Control	O-200-LC0-0100	Hermes
	O-200-LC0-0200	Smart kit (LAN communication PLC)
Color *	O-400-CO0-0100	ESD powder coating(RAL 7035)

Line Control System for Smart Line / MES / Color-NON ESD ▶ Refer to P.75(Common Option Spec.).

Loader/Unloader Series

Buffer Series

Link/Work Series

Conveyor Series

Destacker - Knife

Destacker - Clamping

Destacker - Clamping(Batch)

Vacuum Loader - Edge

Vacuum Loader - Magnet

Stacker

PCB Cleaner - Vacuum

Gate Conveyor - Telescope

Gate Conveyor - Up/Down

Vertical Turn - Motor

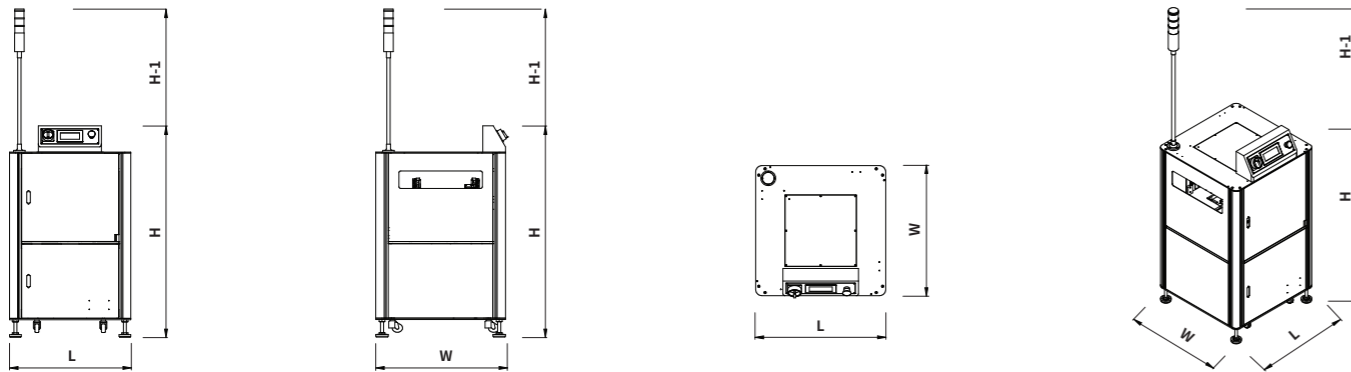
Horizontal Turn - Motor

Shuttle Conveyor

Horizontal Turn - Motor



This unit turns PCBs' flow direction clockwise and counter clockwise



CODE No.	MODEL	SIZE	DIMENSION (mm)				WEIGHT (Kg)
			L	W	H	H-1	
M-10C-AM4-0800	AHT-M62 M CE	M	620	620	1200	2000	200
M-10C-AX4-0800	AHT-M84 X CE	XL	840	840	1200	2000	220

Standard Spec.		
Item	Standard	
Line Flow	Left to Right	Right to Left
Fixed Rail	Front	Rear
Pass Line (mm)	950±20	900±20
Voltage & Frequency	220V±(10%) & 50 ~ 60Hz	110V±(10%) & 50 ~ 60Hz
PCB Size	M	XL
Min.PCB (L X W) (mm)	70 X 50	
Max.PCB (L X W) (mm)	330 X 250	530 X 460
PCB Top/Bottom Clearance (mm)	30 / 25	
PCB Edge (mm)	3	
PCB Loading Weight (kg)	3	
Conveyor Belt	Flat edge belt	
Conveyor Speed (mm/sec) *	200	
PCB Thickness (mm)	0.6 ~ 4.0	
PCB Color	Green	
PCB In/Out Sensor	Single sensor	
Mode	By pass / Horizontal Turn	
Turning Direction	Clockwise / Counter Clockwise	
Width Adjustment *	Manual	
Interface	SMEMA Pin No. 1, 2, 3, 4, 5, 6	
Smema Cable	3m / 1 ea	
Alarm	Tower Lamp (3 Colors)	
Color *	SR RAL 7035 : NON ESD (H-GY2912-T3-Samhwa Paints)	
Electricity Consumption	210W	

Option Spec.		
Item	CODE No.	Option
Conveyor Speed (mm/sec) *	O-100-HW0-0104	1~200 / Analog / 1ea
Width Adjustment *	O-100-HW0-0205	Auto
Width Synchronization	O-100-SW0-0200	via RS-485
Line Control	O-200-LC0-0100	Hermes
	O-200-LC0-0200	Smart kit (LAN communication PLC)
Color *	O-400-CO0-0100	ESD powder coating(RAL 7035)

Line Control System for Smart Line / MES / Color-NON ESD ▶ Refer to P.75(Common Option Spec.).

Loader/Unloader Series

Buffer Series

Link/Work Series

Conveyor Series

Destacker - Knife

Destacker - Clamping

Destacker - Clamping(Batch)

Vacuum Loader - Edge

Vacuum Loader - Magnet

Stacker

PCB Cleaner - Vacuum

Gate Conveyor - Telescope

Gate Conveyor - Up/Down

Vertical Turn - Motor

Horizontal Turn - Motor

Shuttle Conveyor

Shuttle Conveyor



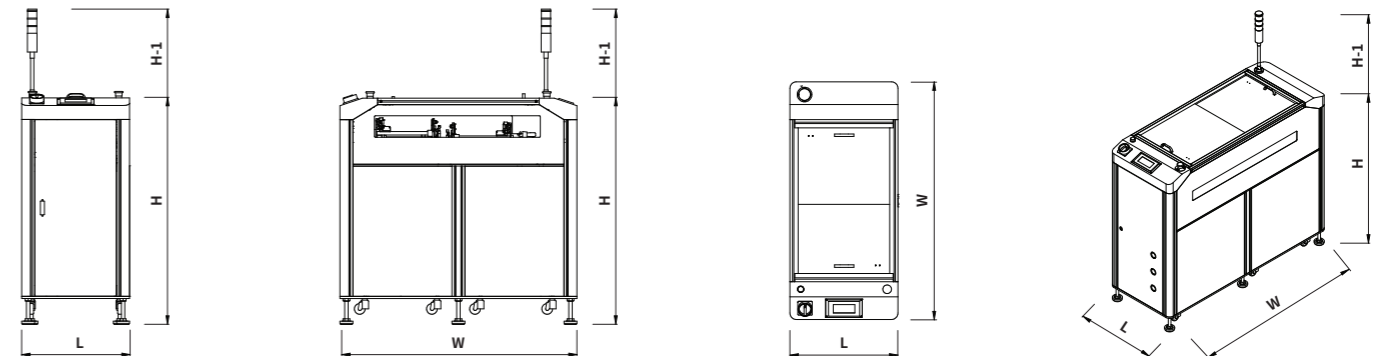
This unit can merge a few production lines into a single one or separate one a single line into few multiple ones.



CODE No.	MODEL	SIZE	DIMENSION (mm)					WEIGHT (Kg)
			L	W	H	H-1	Stroke	
M-10C-AM4-0901	ASHC-50 M CE	M	500	1050	1050	2000	500	210
M-10C-AX4-0901	ASHC-60 X CE	XL	600	1200	1050	2000	500	250
M-10C-AM4-0902	ASHC-50 M CE	M	500	1550	1050	2000	1000	260
M-10C-AX4-0902	ASHC-60 X CE	XL	600	1700	1050	2000	1000	300
M-10C-AM4-0903	ASHC-50 M CE	M	500	2050	1050	2000	1500	310
M-10C-AX4-0903	ASHC-60 X CE	XL	600	2200	1050	2000	1500	350
M-10C-AM4-0904	ASHC-50 M CE	M	500	2550	1050	2000	2000	360
M-10C-AX4-0904	ASHC-60 X CE	XL	600	2700	1050	2000	2000	400
M-10C-AM4-0905	ASHC-50 M CE	M	500	3050	1050	2000	2500	410
M-10C-AX4-0905	ASHC-60 X CE	XL	600	3200	1050	2000	2500	450
M-10C-AM4-0906	ASHC-50 M CE	M	500	3550	1050	2000	3000	460
M-10C-AX4-0906	ASHC-60 X CE	XL	600	3700	1050	2000	3000	500
M-10C-AM4-0907	ASHC-50 M CE	M	500	4050	1050	2000	3500	510
M-10C-AX4-0907	ASHC-60 X CE	XL	600	4200	1050	2000	3500	550
M-10C-AM4-0908	ASHC-50 M CE	M	500	4550	1050	2000	4000	560
M-10C-AX4-0908	ASHC-60 X CE	XL	600	4700	1050	2000	4000	600

Standard Spec.	
Item	Standard
Line Flow	Left to Right Right to Left
Fixed Rail	Front Rear
Pass Line (mm)	950±20 900±20
Voltage & Frequency	220V±(10%) & 50 ~ 60Hz 110V±(10%) & 50 ~ 60Hz
PCB Size	M XL
Min.PCB (L X W) (mm)	70 X 50
Max.PCB (L X W) (mm)	330 X 250 530 X 460
PCB Top/Bottom Clearance (mm)	30 / 25
PCB Edge (mm)	3
PCB Loading Weight (kg)	3
Conveyor Belt	Flat edge belt
Conveyor Speed (mm/sec) *	200
PCB Thickness (mm)	0.6 ~ 4.0
PCB Color	Green
PCB In/Out Sensor	Single sensor
Mode	1 in / 1 out 1 in / 2 out 2 in / 1 out 2 in / 2 out
Width Adjustment *	Manual
Interface	SMEMA Pin No. 1, 2, 3, 4, 5, 6
Smema Cable	3m / 1 ea
Alarm	Tower lamp (3 colors)
Color *	SR RAL 7035 : NON ESD (H-GY2912-T3-Samhwa Paints)
Sliding Speed	Max. 400 mm/sec
Electricity Consumption	210W

Option Spec.		
Item	CODE No.	Option
Conveyor Speed (mm/sec) *	O-100-HW0-0104	1~200 / Analog / 1ea
Width Adjustment *	O-100-HW0-0205	Auto
Add. Touch Screen	O-100-HW4-0400	Rear Side
Width Synchronization	O-100-SW0-0200	via RS-485
Line Control	O-200-LC0-0100	Hermes
	O-200-LC0-0200	Smart kit (LAN communication PLC)
Color *	O-400-CO0-0100	ESD powder coating(RAL 7035)
Line Control System for Smart Line / MES / Color-NON ESD ▶ Refer to P.75(Common Option Spec.).		



Loader/Unloader Series

Buffer Series

Link/Work Series

Conveyor Series

Destacker - Knife

Destacker - Clamping

Destacker - Clamping(Batch)

Vacuum Loader - Edge

Vacuum Loader - Magnet

Stacker

PCB Cleaner - Vacuum

Gate Conveyor - Telescope

Gate Conveyor - Up/Down

Vertical Turn - Motor

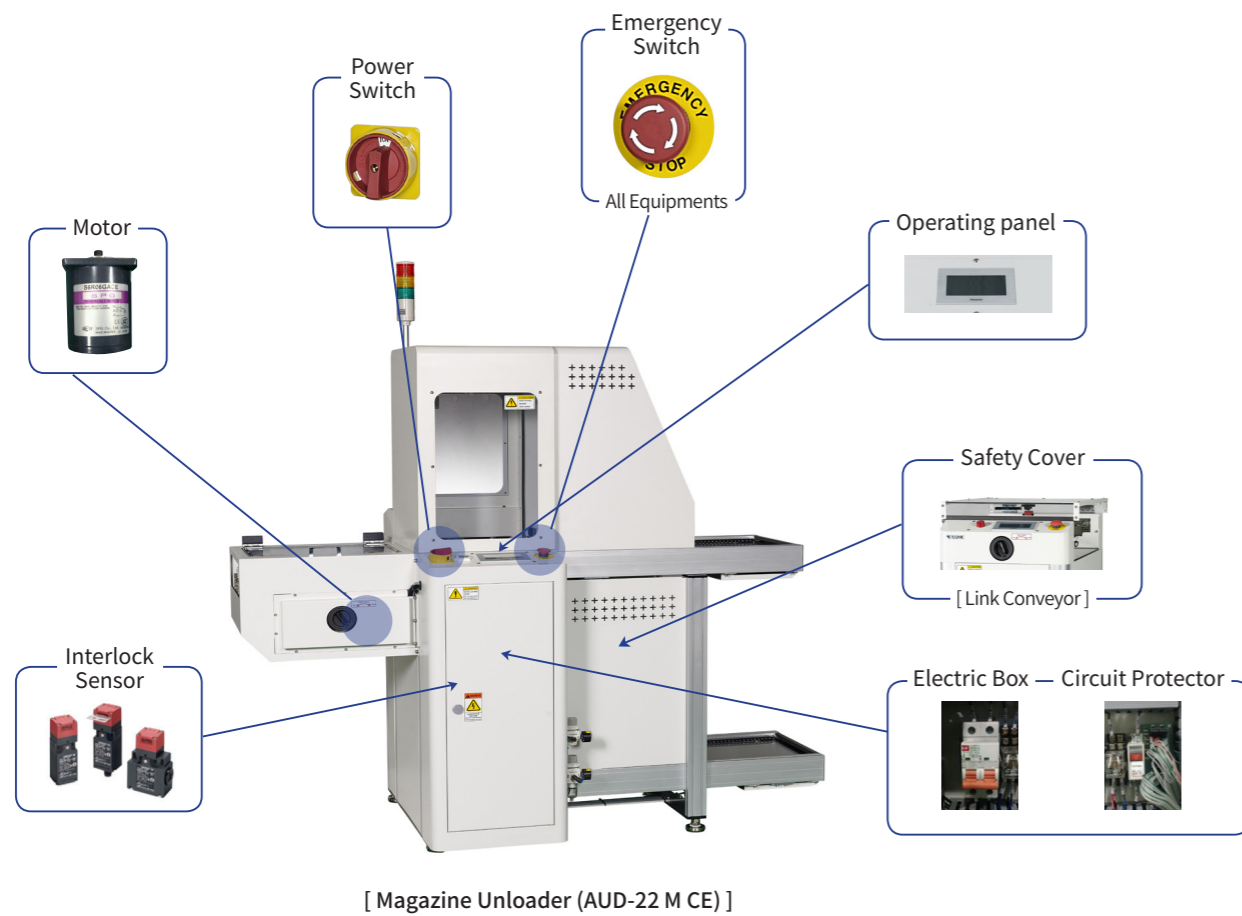
Horizontal Turn - Motor

Shuttle Conveyor

01 Common Standard Spec.

Item	CODE No.	Standard
Motor	-	SPG
Sensor_PCB	-	SICK / PANASONIC
Screw Type *	-	TM Screw
Pneumatic	-	TPC / SMC
PLC	-	PANASONIC
OP Panel_Touch Screen	-	PANASONIC
Switch_Main	-	HANYOUNG
Switch_Emergency	-	HANYOUNG
Sensor_Door	-	KOINO

03 Standard Features



02 Common Option Spec.

Item	CODE No.	Option
Line Control System for Smart Line	O-200-LC0-0300	PC + Program
	O-200-IL0-0400	PC + iLNB
MES	O-200-ME0-0501	complexity - middle / low
	O-200-ME0-0502	complexity - high
Color - NON ESD Powder Coating	O-400-CO0-0201	NON ESD - EX8816(S)-SR-WH020 (White)
	O-400-CO0-0202	NON ESD - RAL 7035 : Glossy
	O-400-CO0-0203	NON ESD - RAL 7035 : Matt

04 Magazine Rack



MAGAZINE TYPE	L	W	H	Max. PCB Size		Min. PCB Size	
				L	W	L	W
M (097)	355	320	570	330	250	70	50
L (096)	460	400	575	440	330	70	50
XL (100)	535	530	575	530	460	70	50
2XL (101)	620	530	575	610	460	70	50

* Racks of any size and any type are available for orders.